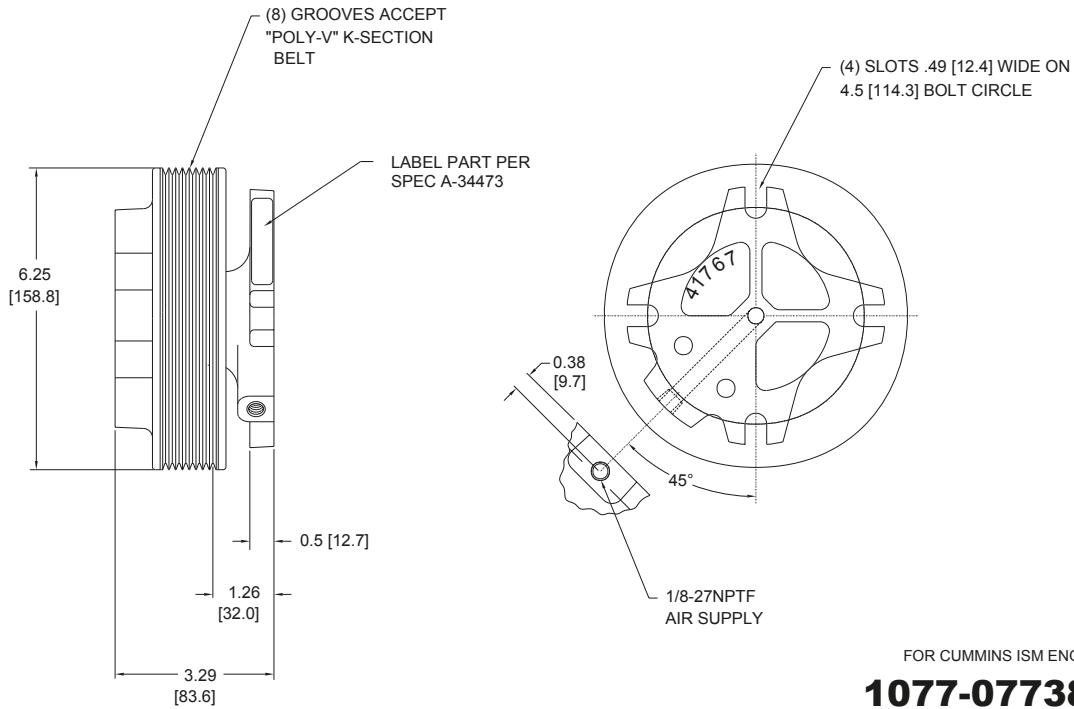
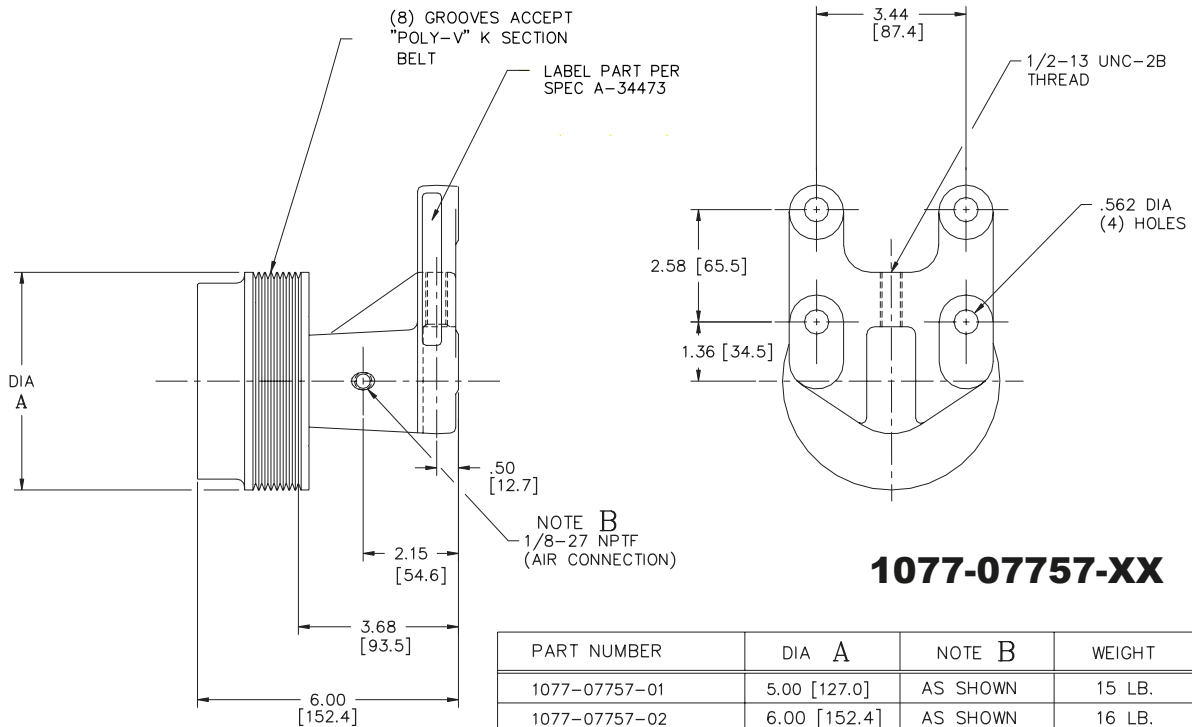


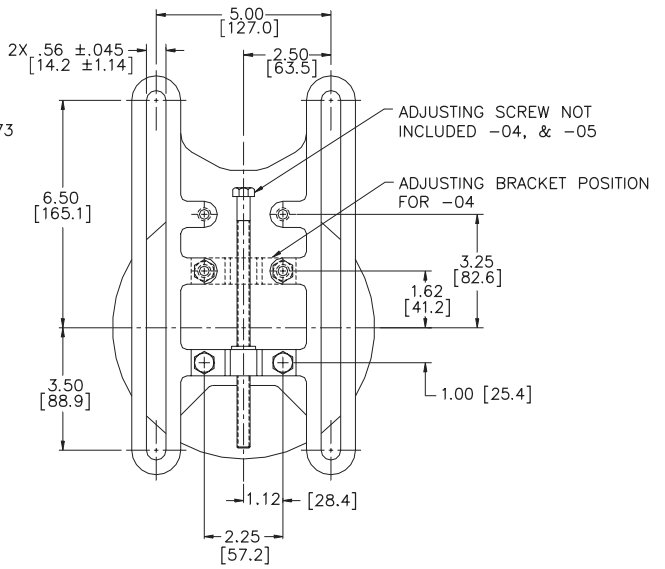
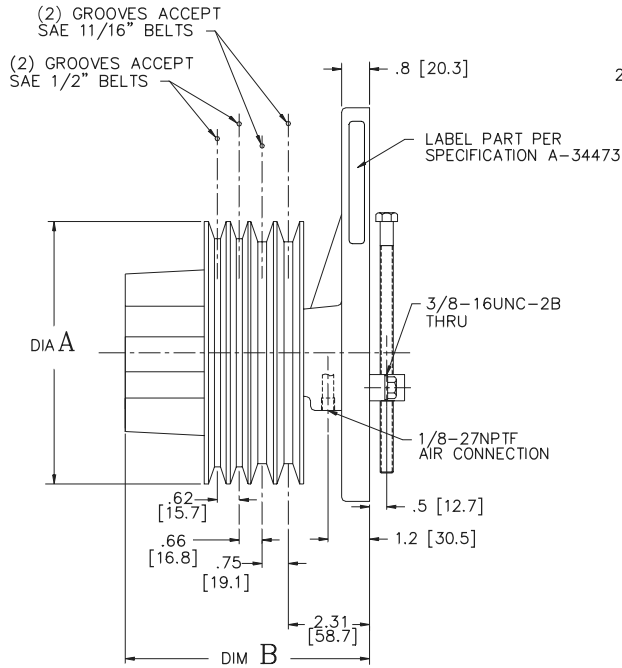
NOTE:
DIMENSIONS IN [MM] ARE IN MILLIMETERS.



DIMENSIONS IN [MM] ARE IN MILLIMETRES



DIMENSIONS IN [mm] ARE IN MILLIMETERS.

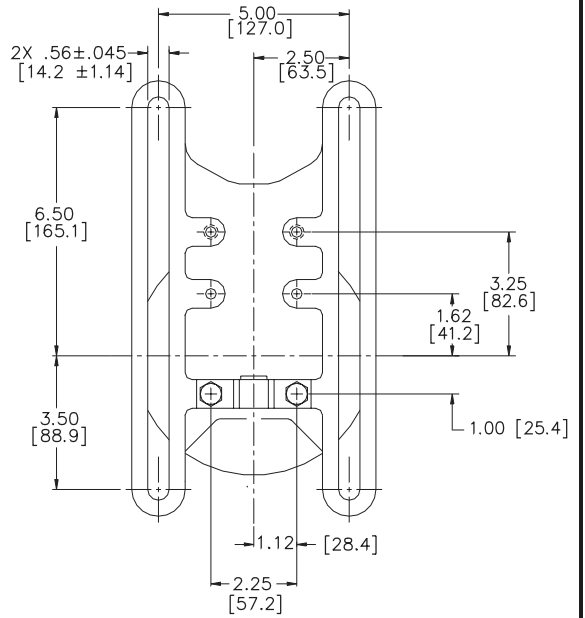
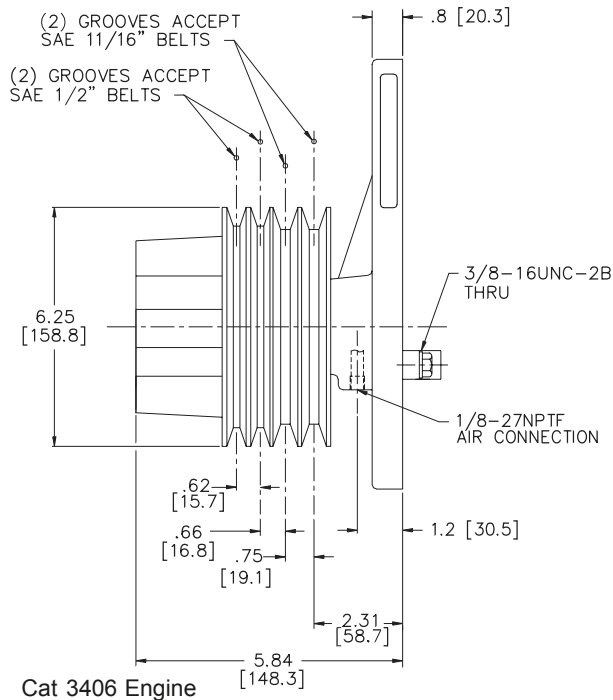


PART NUMBER	DIA A	DIM B	APPROX. WEIGHT
1077-07767-01	7.50 [190.5]	5.84 [148.3]	33 LB
1077-07767-03	7.50 [190.5]	6.23 [158.2]	33 LB
1077-07767-04	7.50 [190.5]	5.47 [138.9]	31 LB
1077-07767-05	7.00 [177.8]	6.72 [170.7]	34 LB

FOR CAT 3406 ENGINE

1077-07767-XX

DIMENSIONS IN [mm] ARE IN MILLIMETERS.



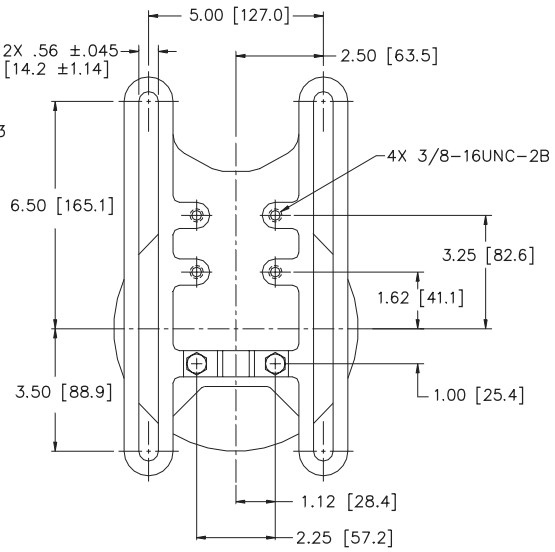
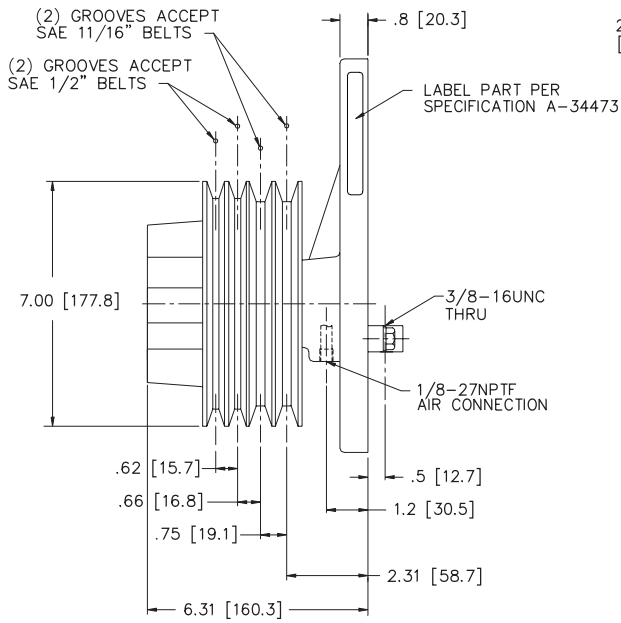
Cat 3406 Engine

1077-07767-02

APPROXIMATE WEIGHT: 30 LBS.

NOTE: DIMENSIONS IN [mm] ARE IN MILLIMETERS.

APPROXIMATE WEIGHT: 32 lbs

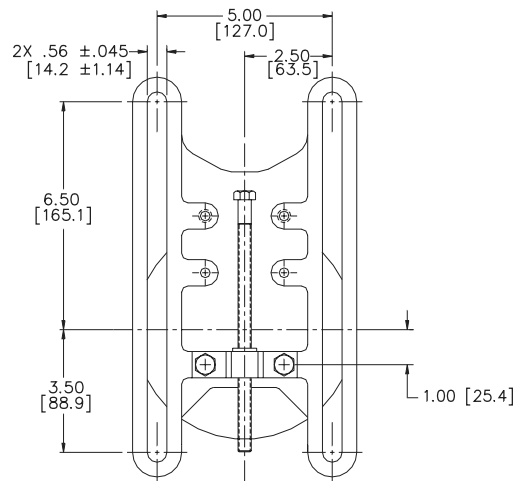
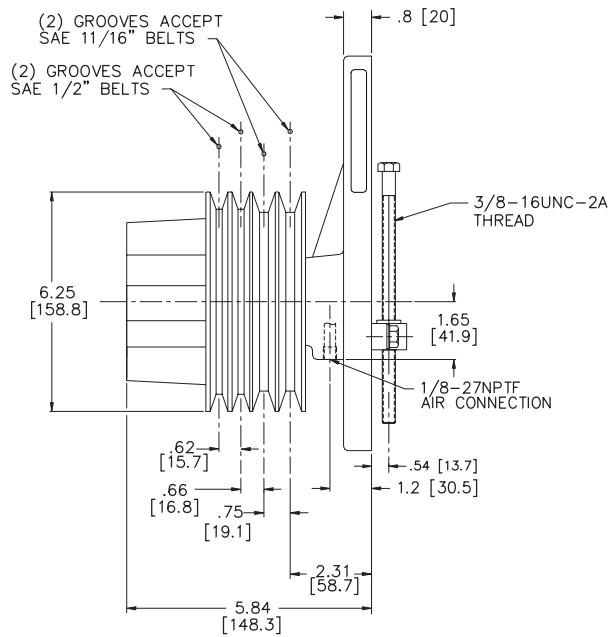


FOR CAT 3406 ENGINE

1077-07767-06

DIMENSIONS IN [mm] ARE IN MILLIMETERS.

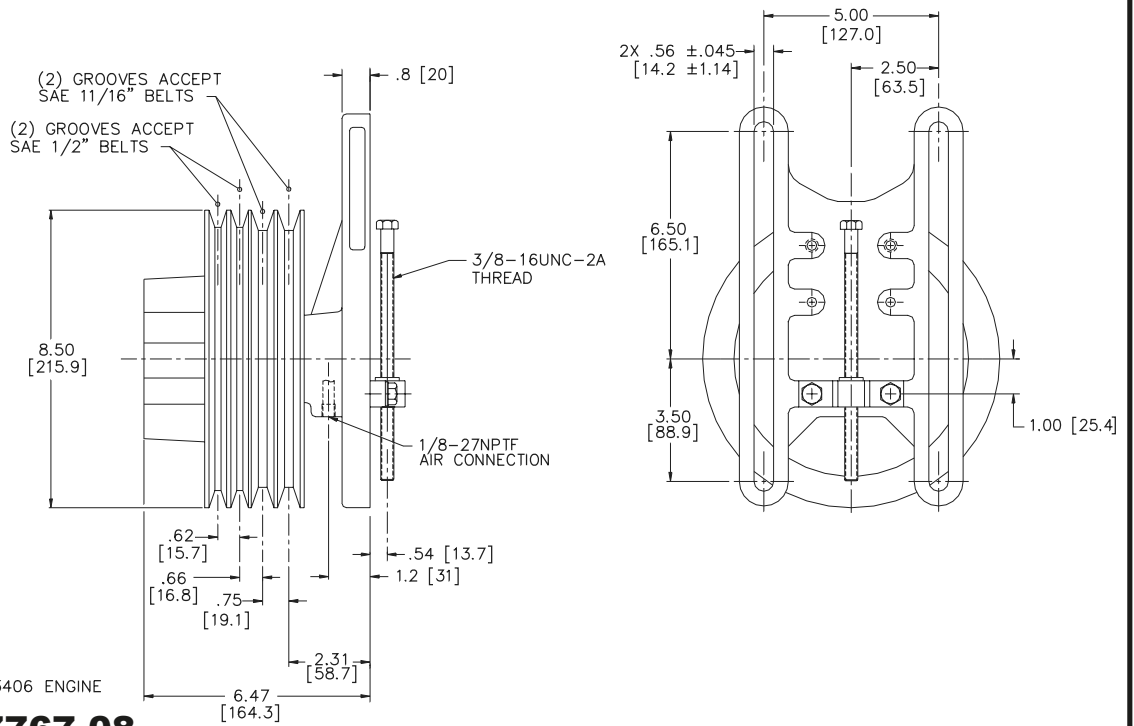
APPROXIMATE WEIGHT: 30 LBS.



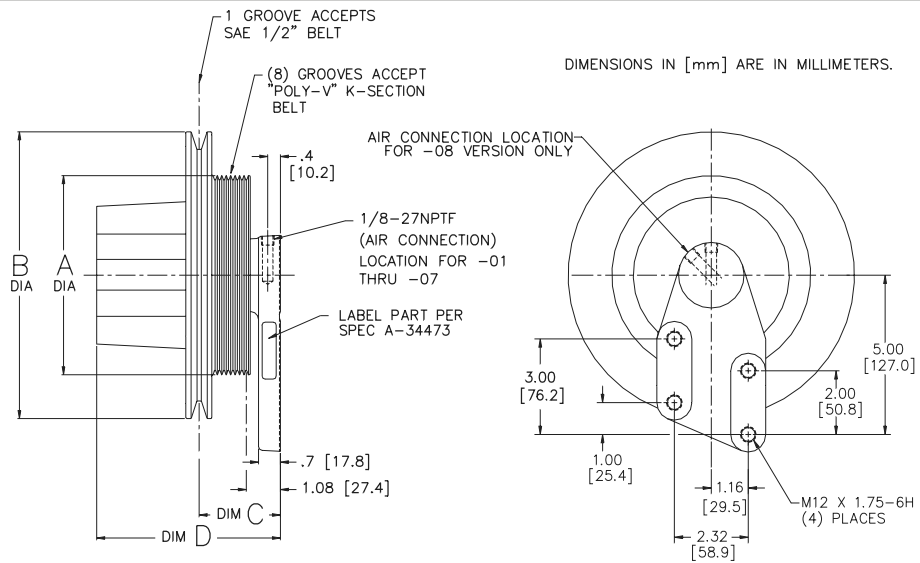
FOR CAT 3406 ENGINE

1077-07767-07

DIMENSIONS IN [mm] ARE IN MILLIMETERS.



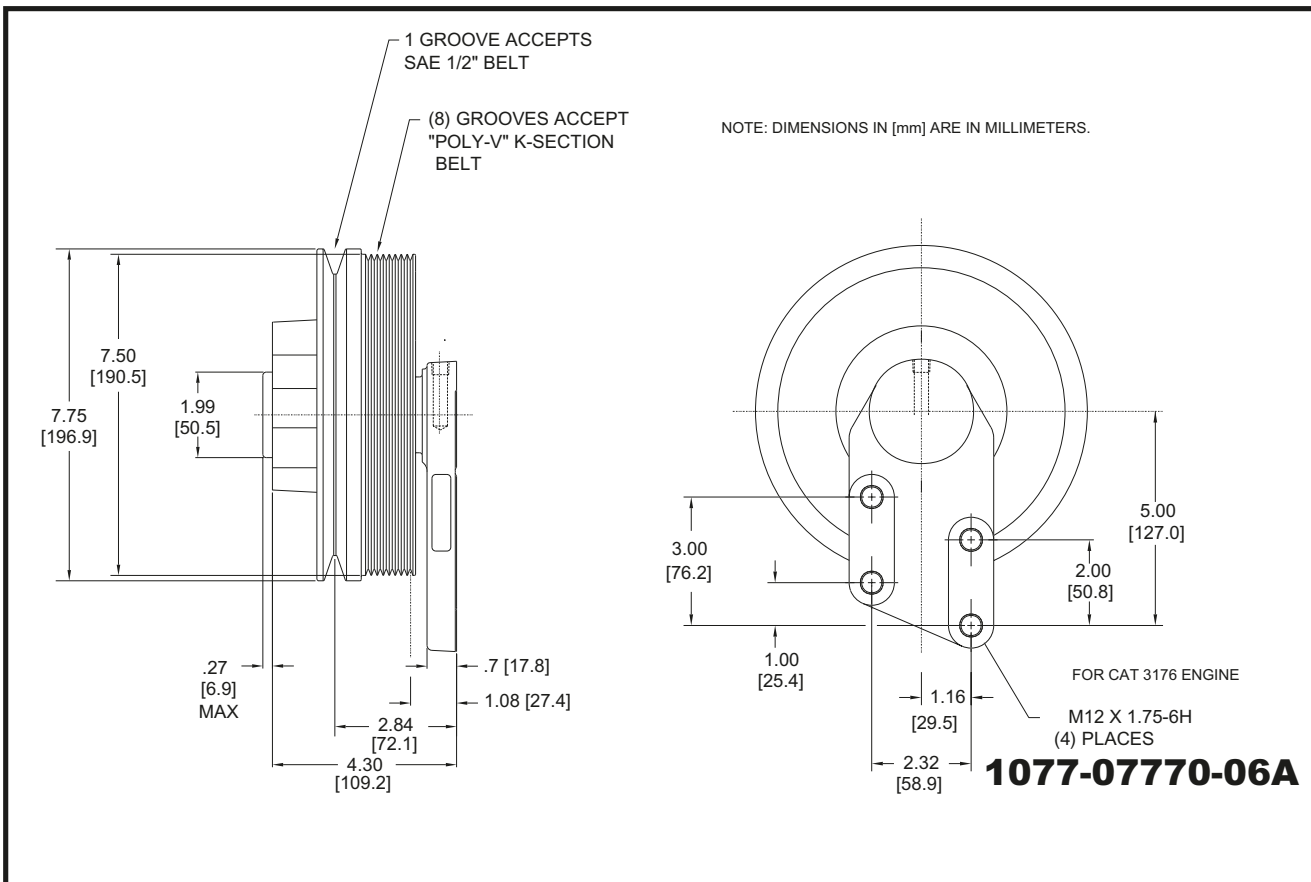
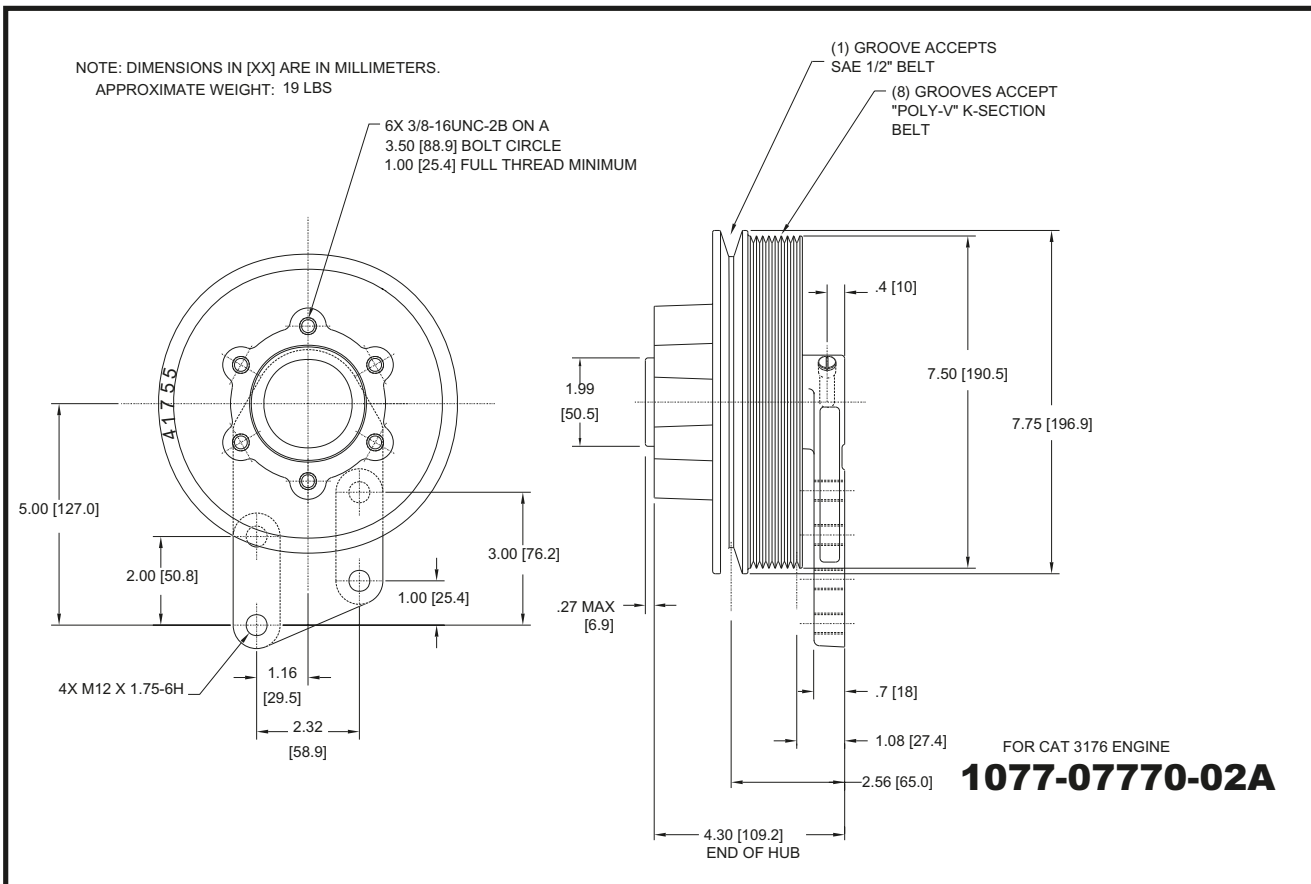
1077-07767-09 outline not available

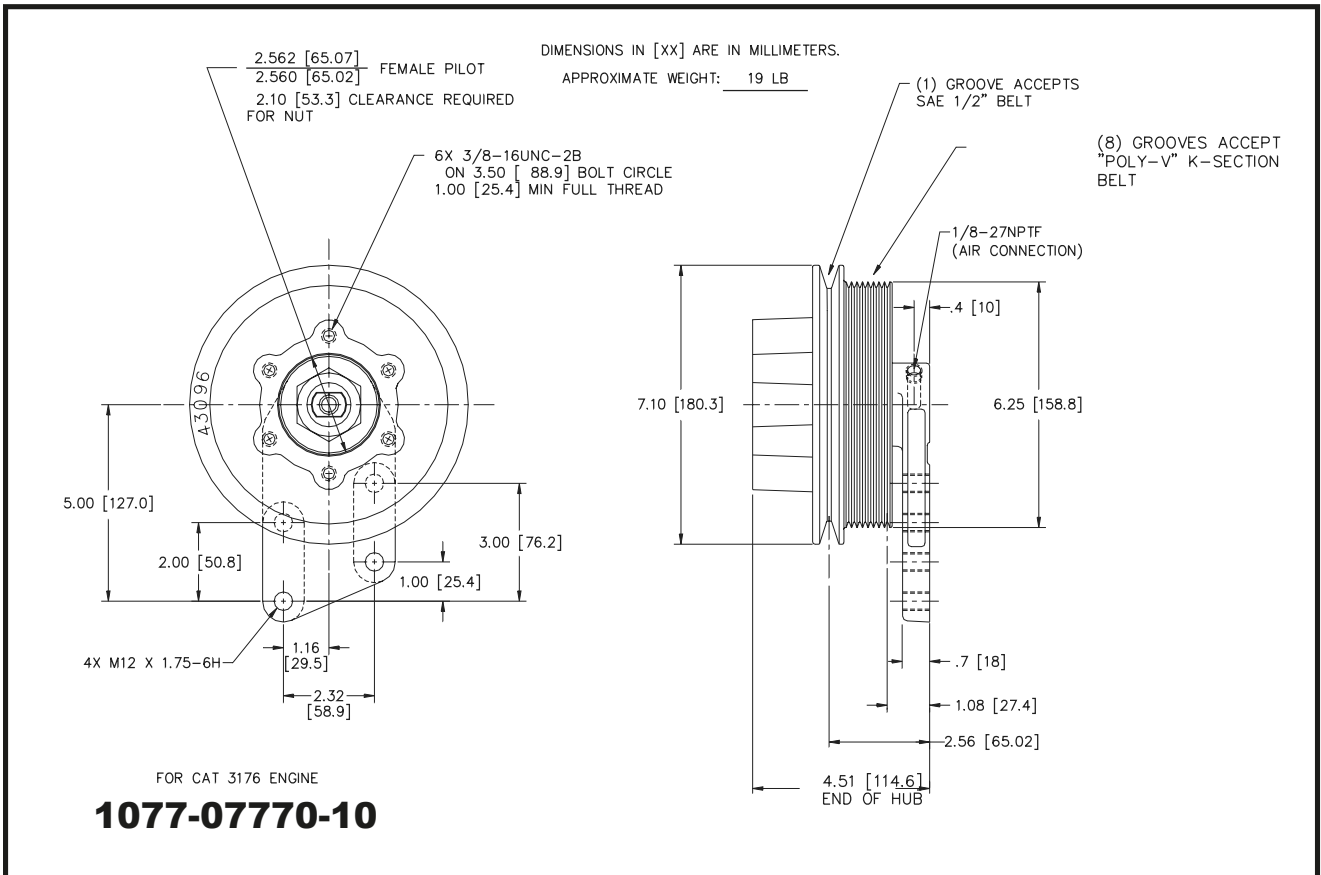
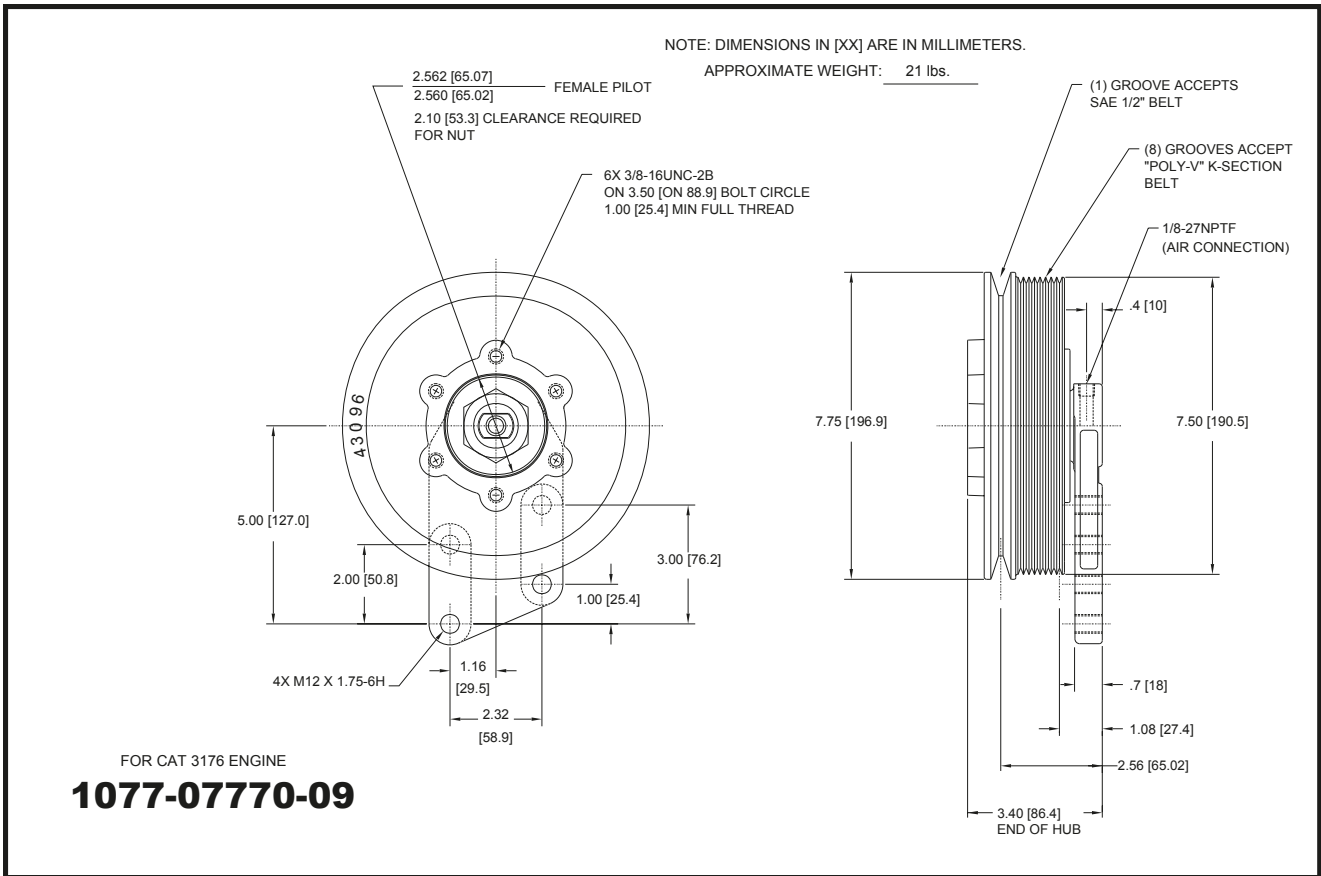


FOR CAT 3176 ENGINE

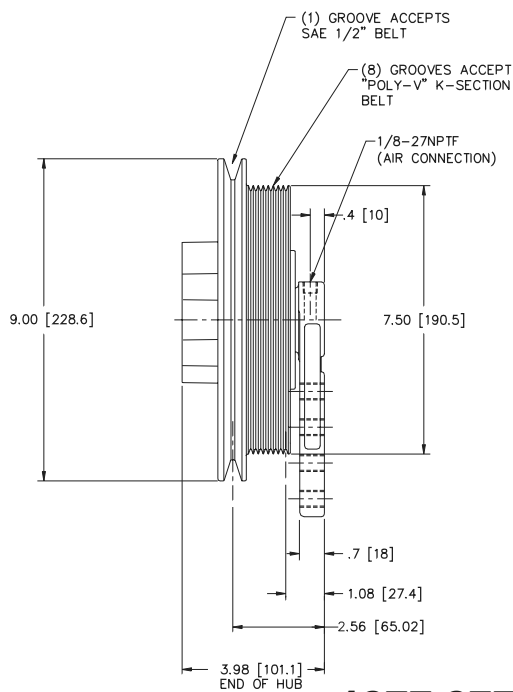
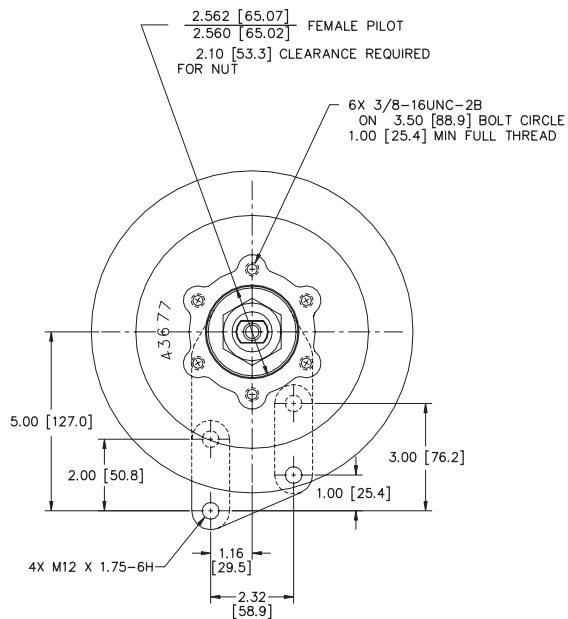
1077-07770-XX

PART NUMBER	DIA A	DIA B	DIM C	DIM D	APPROX WEIGHT
1077-07770-01	6.25 [158.8]	7.75 [196.9]	2.56 [65.0]	4.30 [109.2]	18 LB
1077-07770-02	7.50 [190.5]	7.75 [196.9]	2.56 [65.0]	4.30 [109.2]	19 LB
1077-07770-03	6.25 [158.8]	9.00 [228.6]	2.56 [65.0]	4.78 [121.4]	24 LB
1077-07770-04					
1077-07770-05	6.25 [158.8]	9.00 [228.6]	2.56 [65.0]	5.78 [146.8]	27 LB
1077-07770-06	7.50 [190.5]	7.75 [196.9]	2.84 [72.1]		22 LB
1077-07770-07	6.25 [158.8]	9.00 [228.6]	2.56 [65.0]	5.26 [133.6]	25 LB
1077-07770-08	7.50 [190.5]	7.75 [196.9]	2.56 [65.0]	4.78 [121.4]	21 LB

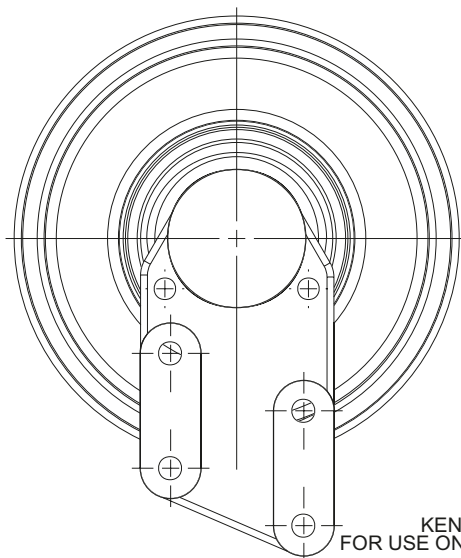
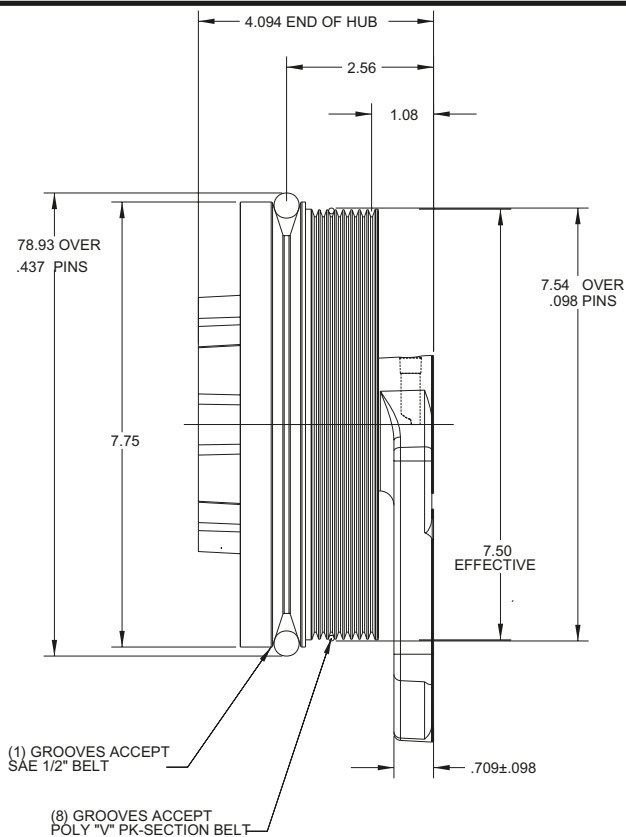




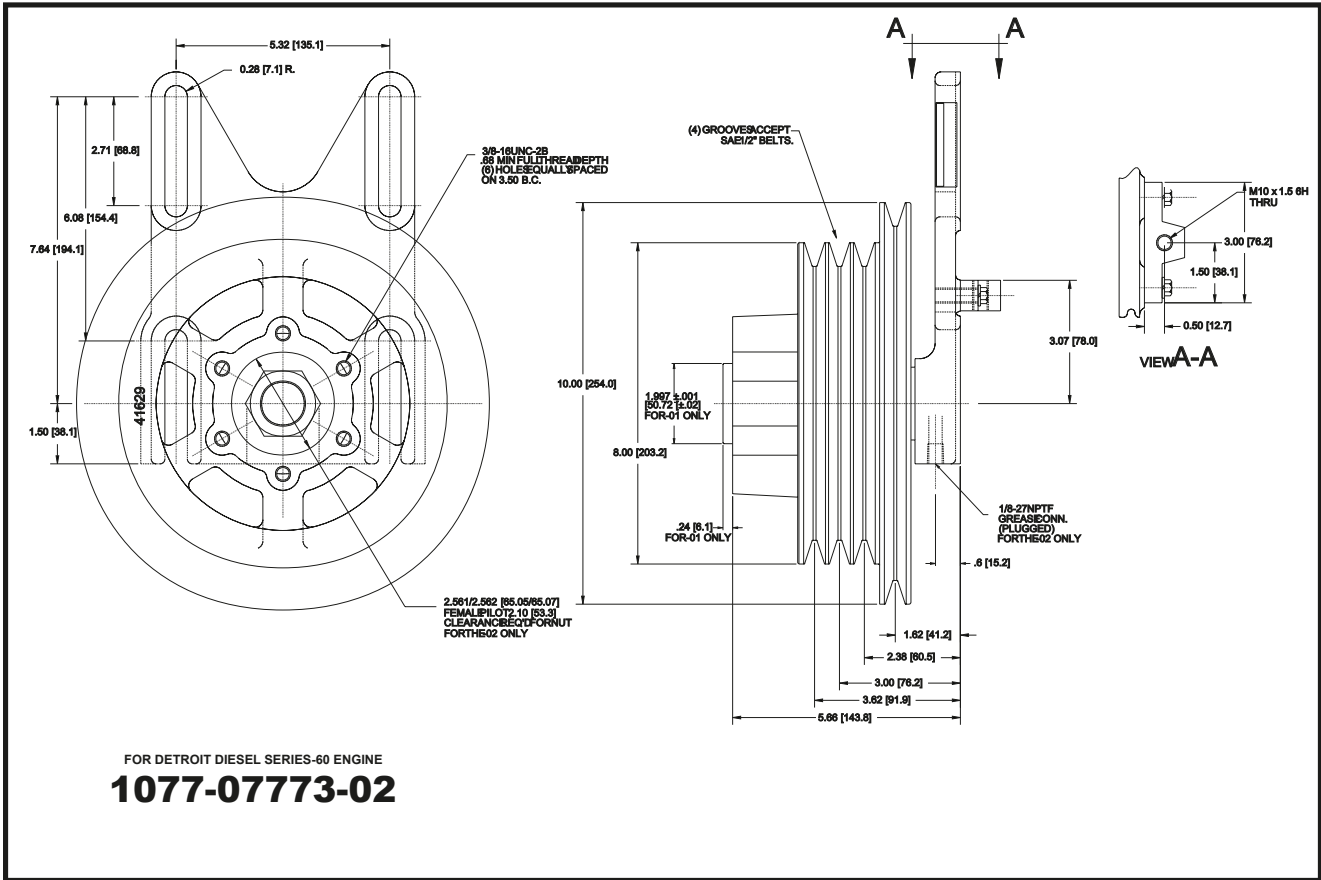
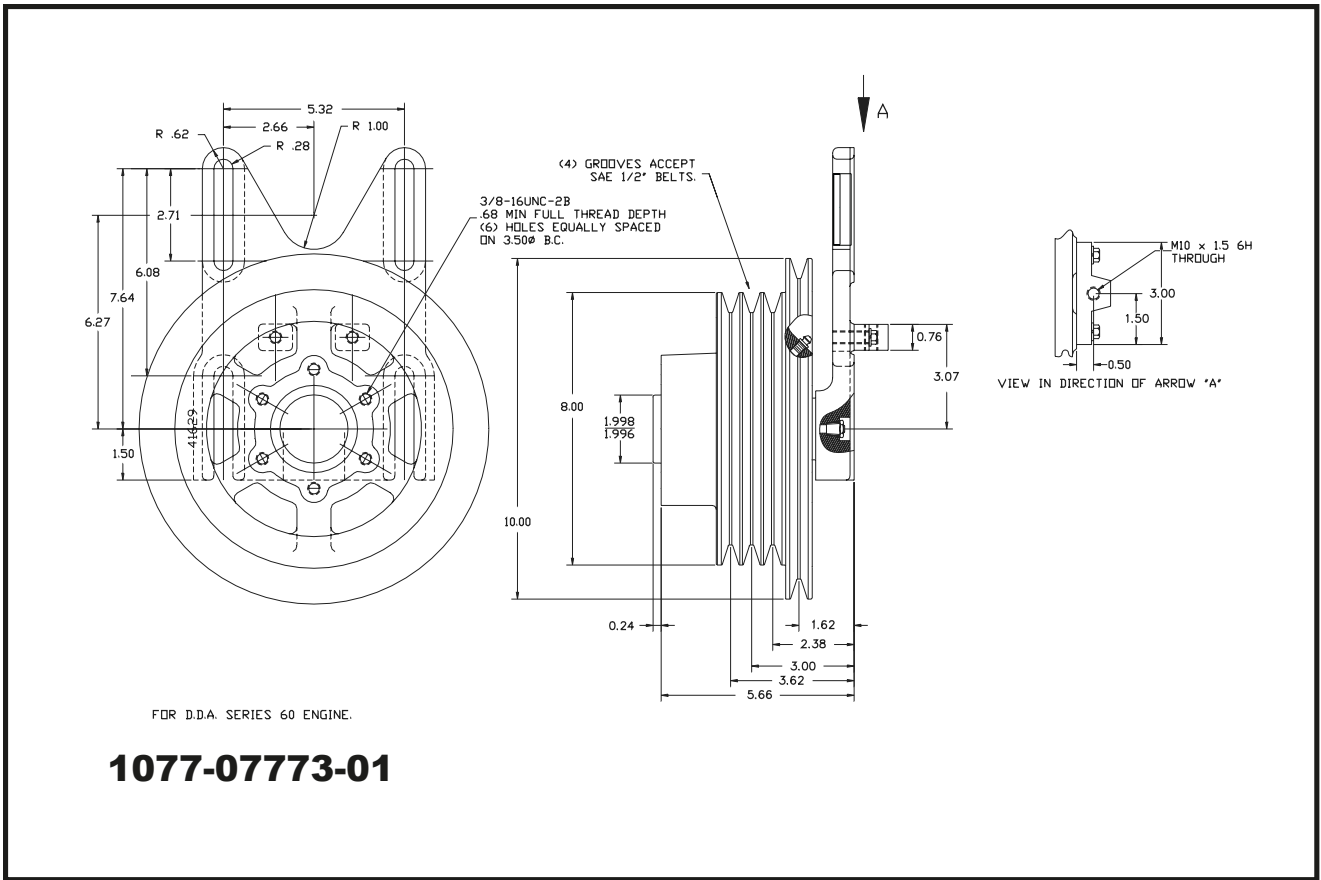
DIMENSIONS IN [xx] ARE IN MILLIMETERS.



1077-07770-12

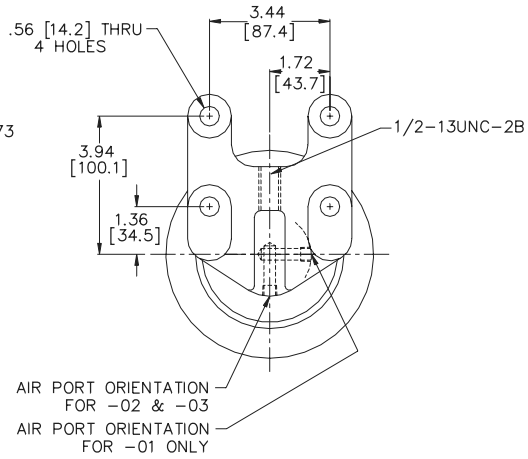
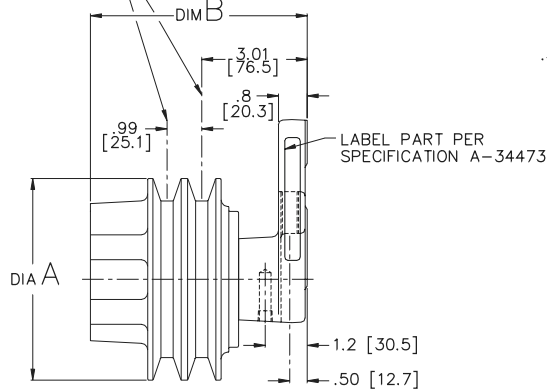


1077-07770-13



NOTE: DIMENSIONS IN [mm] ARE IN MILLIMETERS

2 GROOVES ACCEPT
SAE 7/8" BELTS



PART NUMBER	DIA A	DIM B	APPROX. WEIGHT
1077-07867-01	7.03 [178.6]	5.72 [145.3]	23 LB
1077-07867-02	5.75 [146.1]	6.19 [157.2]	19 LB
1077-07867-03	7.03 [178.6]	7.19 [182.6]	27 LB

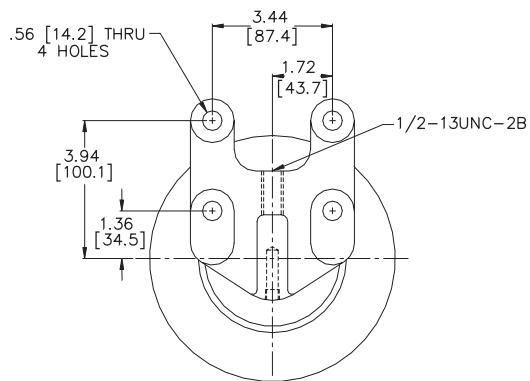
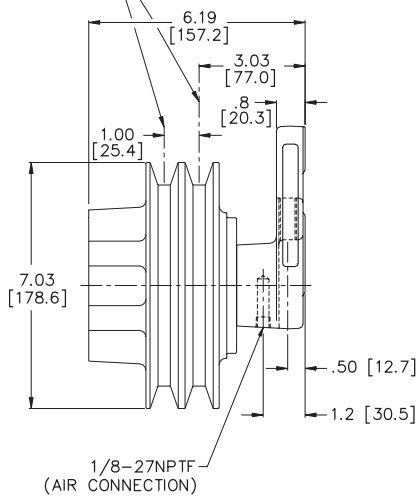
FOR CUMMINS N14 ENGINE

1077-07867-XX

NOTE: DIMENSIONS IN [mm] ARE IN MILLIMETERS

APPROXIMATE WEIGHT: 24 LBS.

2 GROOVES ACCEPT
SAE 7/8" BELTS

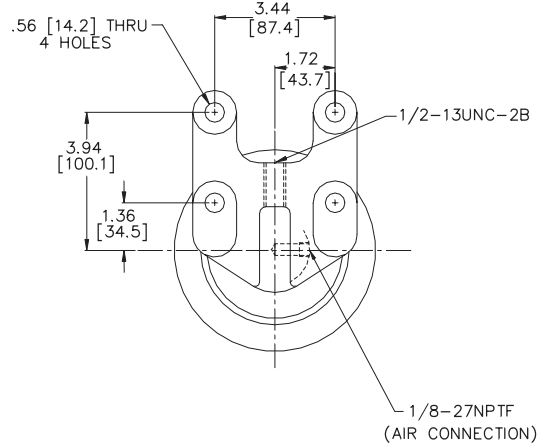
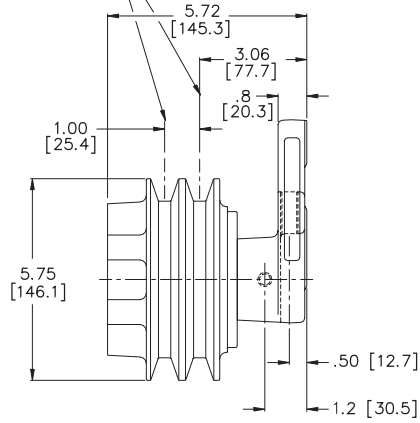


FOR CUMMINS N14 ENGINE

1077-07867-04

NOTE: DIMENSIONS IN [mm] ARE IN MILLIMETERS
APPROXIMATE WEIGHT: 18 LB

2 GROOVES ACCEPT
SAE 7/8" BELTS

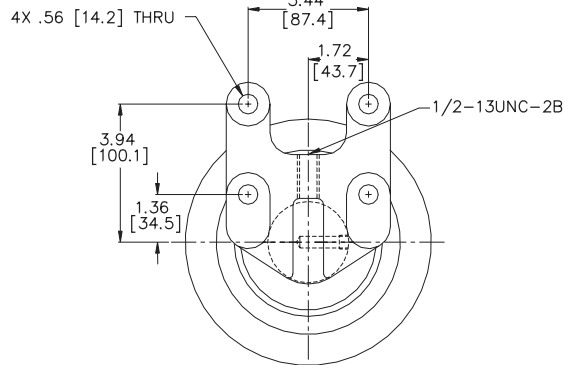
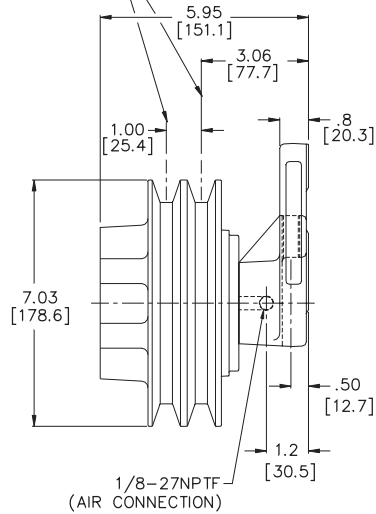


FOR CUMMINS N14 ENGINE

1077-07867-05

2 GROOVES ACCEPT
SAE 7/8" BELTS

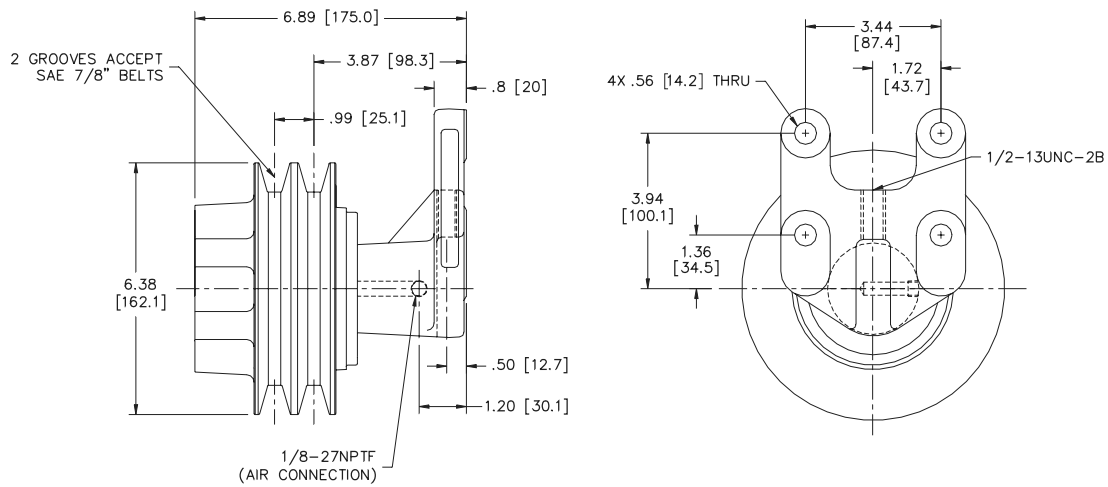
DIMENSIONS IN [mm] ARE IN MILLIMETERS



FOR CUMMINS N14 ENGINE

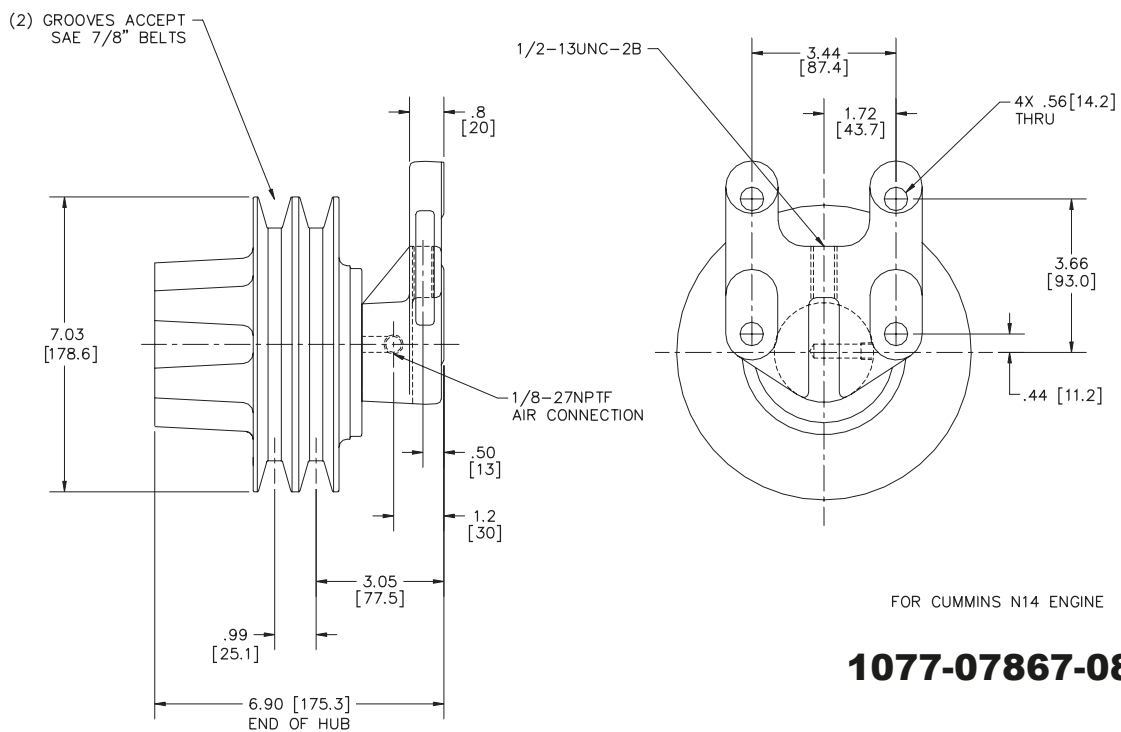
1077-07867-06

NOTE: DIMENSIONS IN [XX] ARE IN MILLIMETERS



1077-07867-07

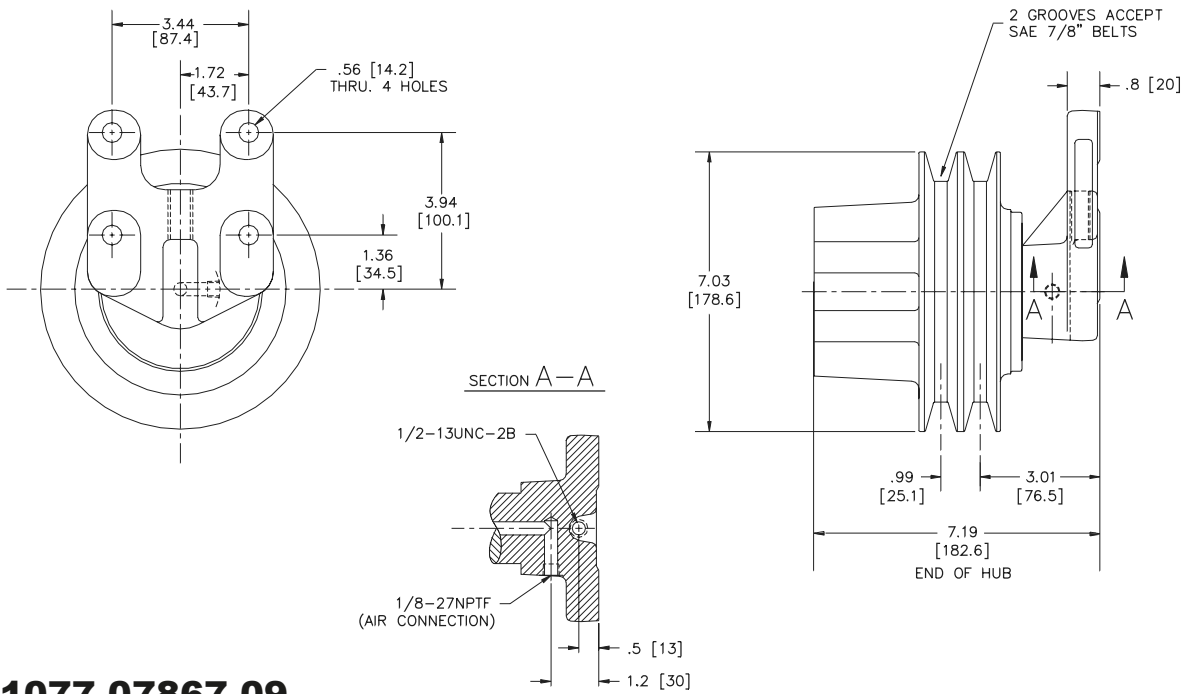
NOTE: DIMENSIONS IN [XX] ARE IN MILLIMETERS.



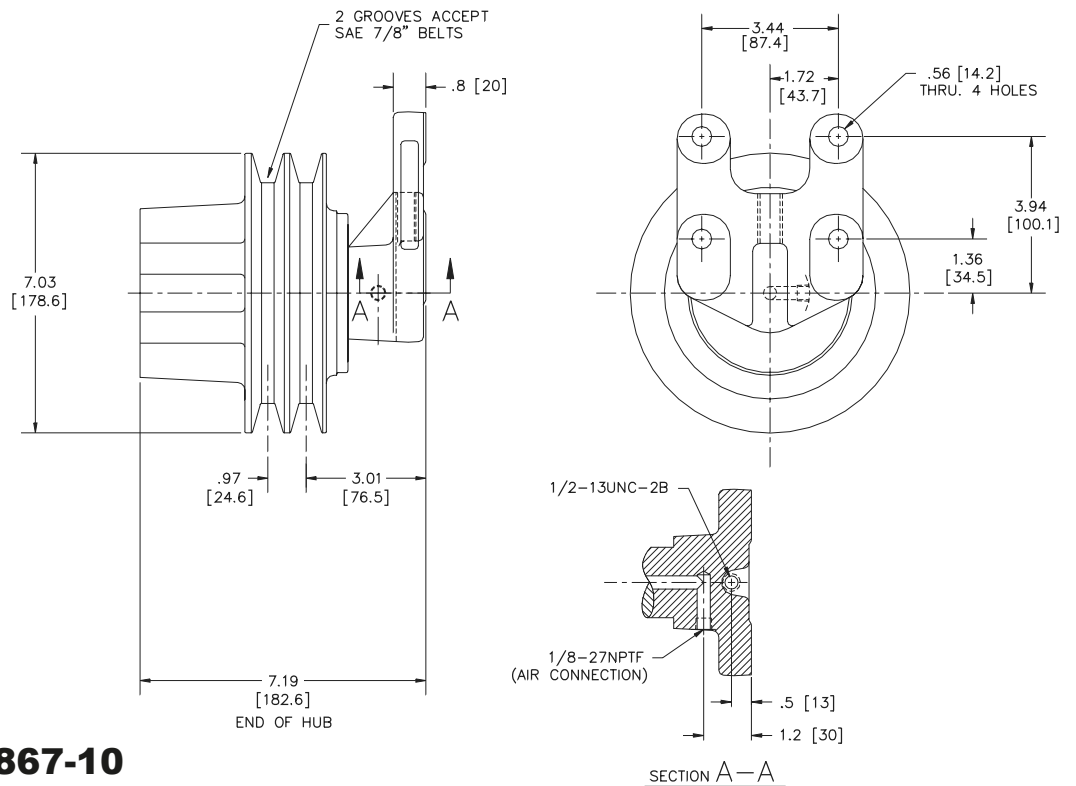
FOR CUMMINS N14 ENGINE

1077-07867-08

NOTE: DIMENSIONS IN [XX] ARE IN MILLIMETERS



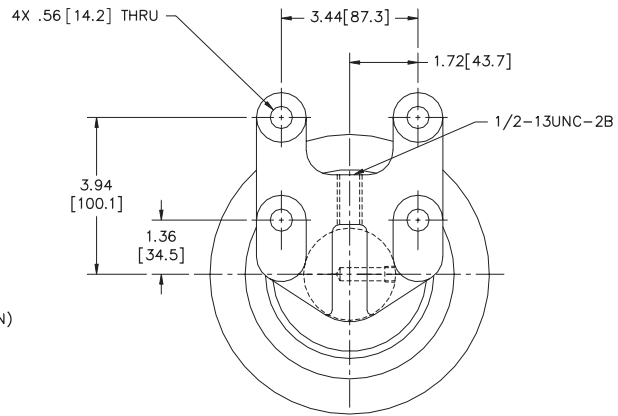
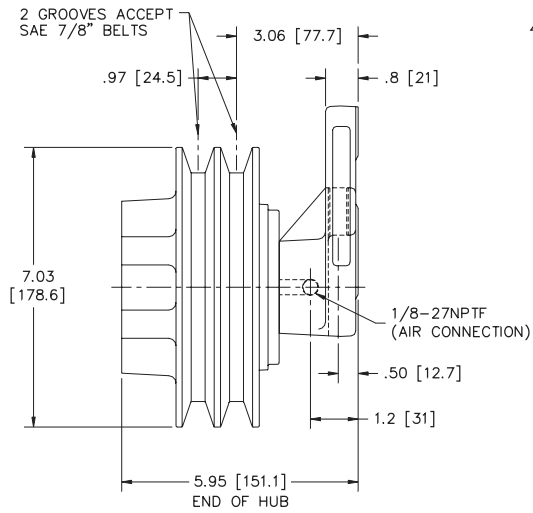
1077-07867-09



1077-07867-10

OUTLINE DRAWINGS

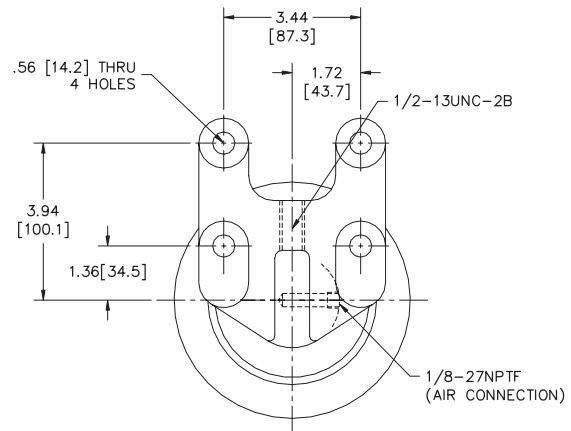
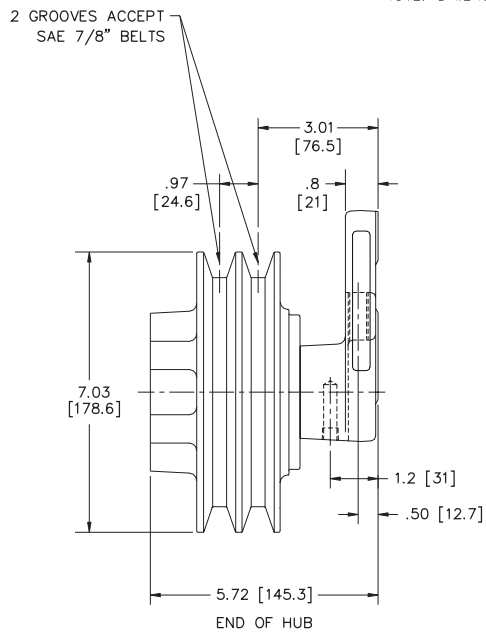
NOTE: DIMENSIONS IN [xx] ARE IN MILLIMETERS



FOR CUMMINS N14 ENGINE

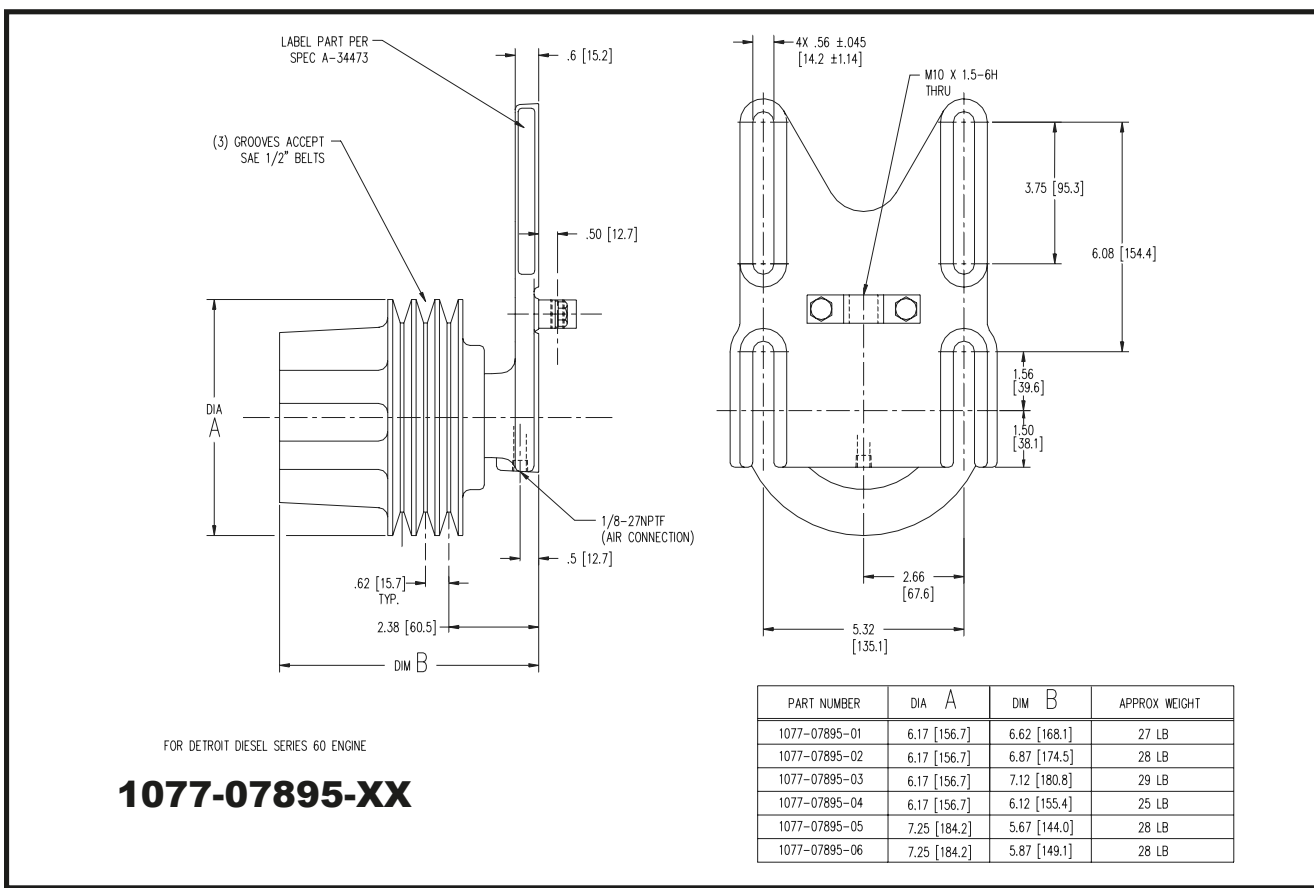
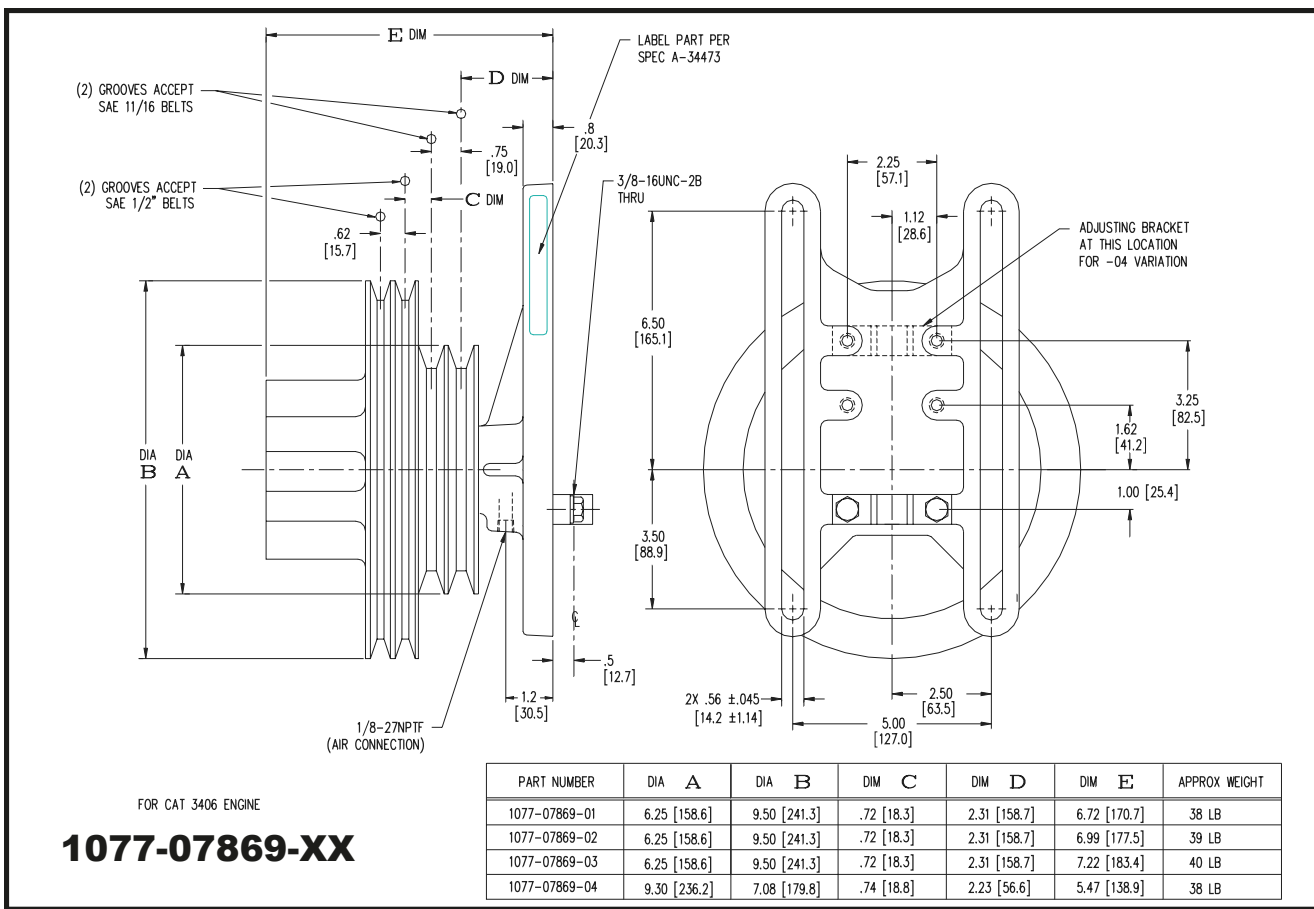
1077-07867-11

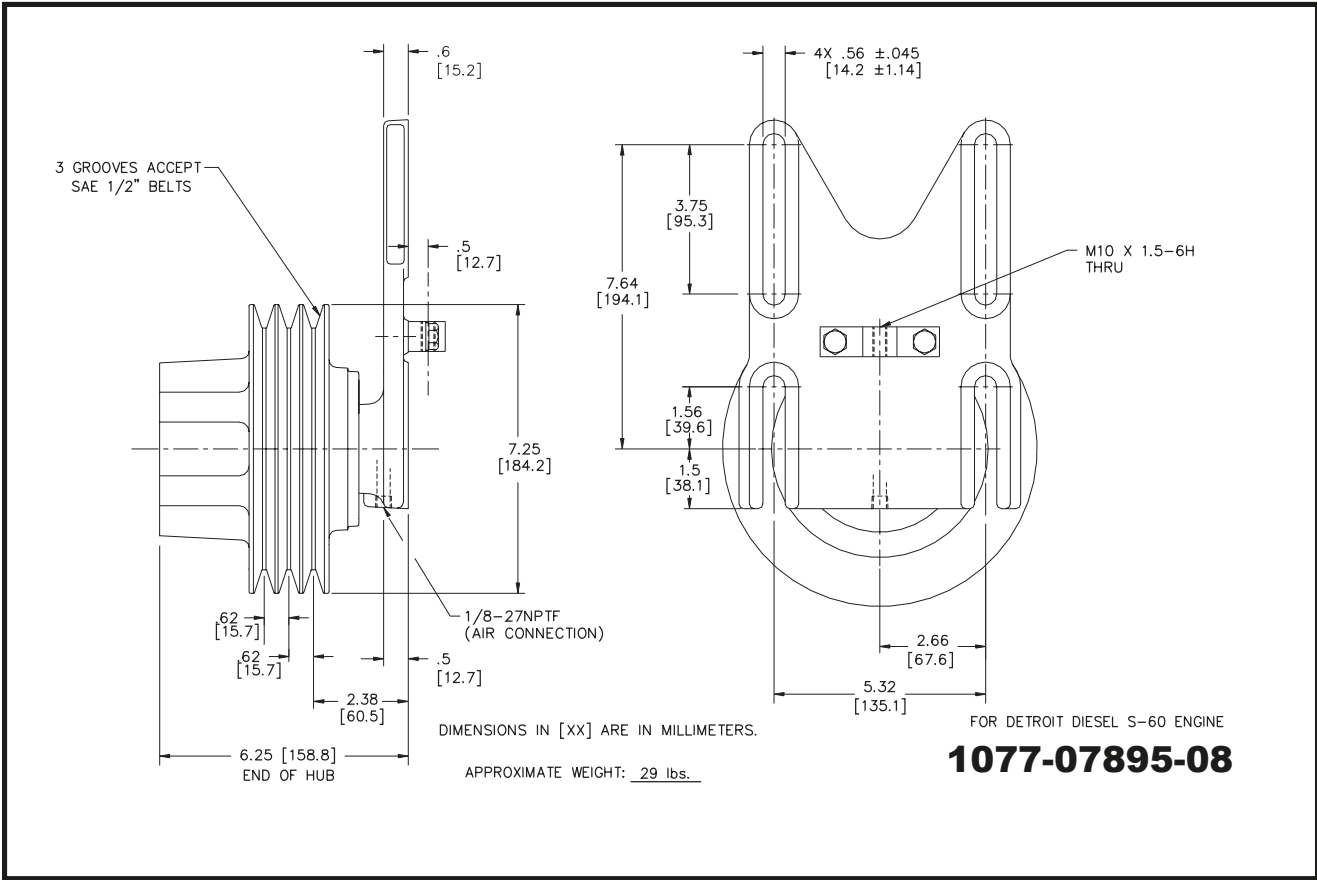
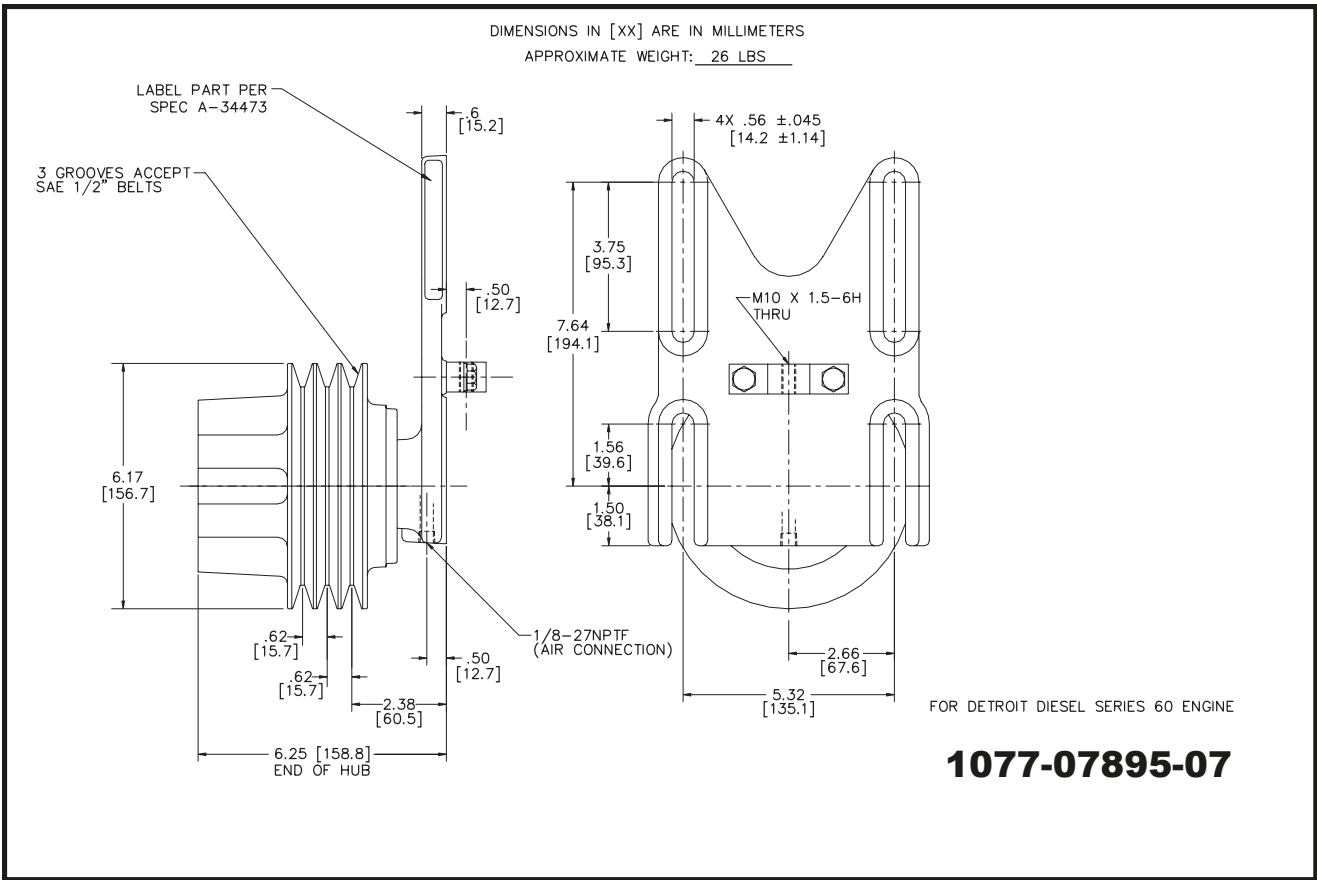
NOTE: DIMENSIONS IN [mm] ARE IN MILLIMETERS

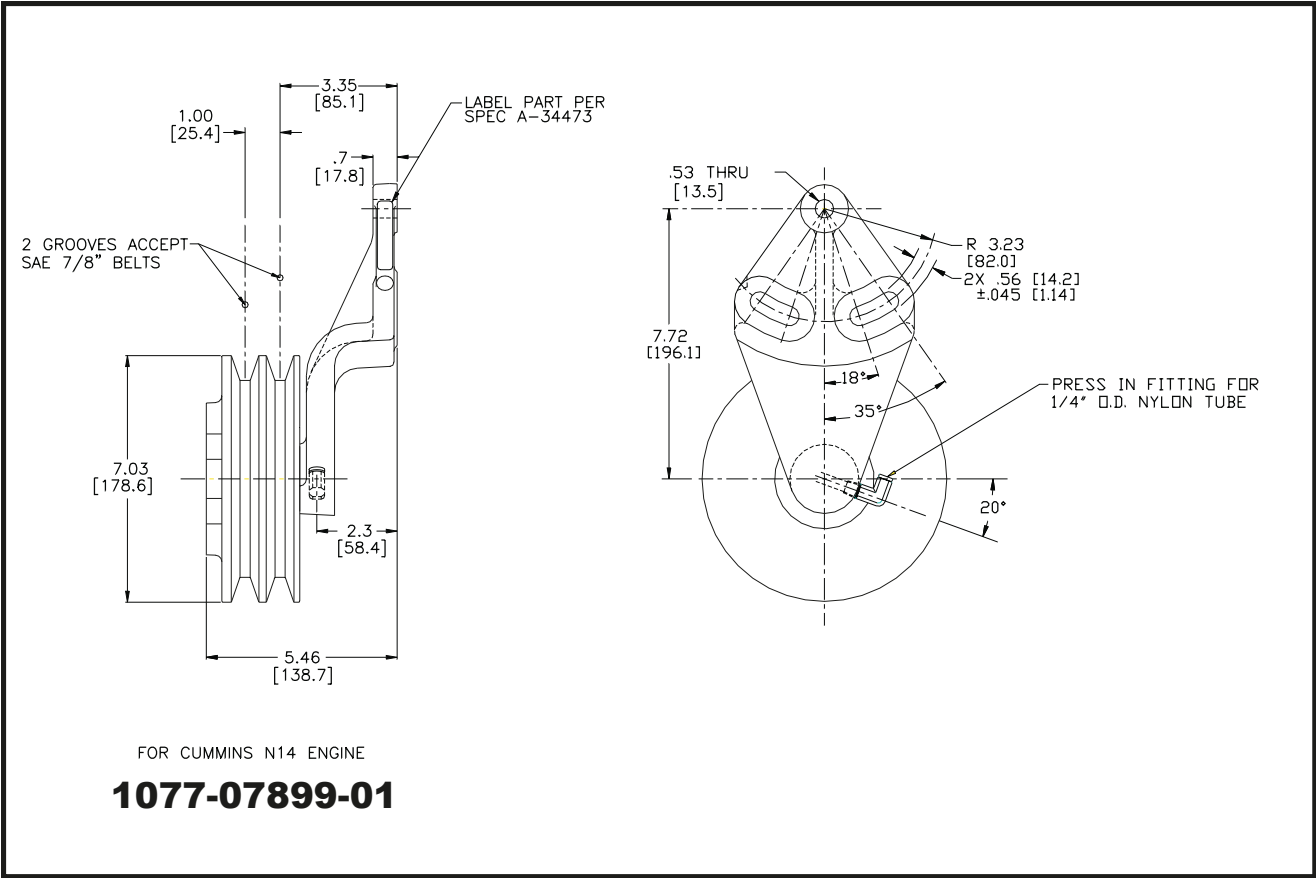
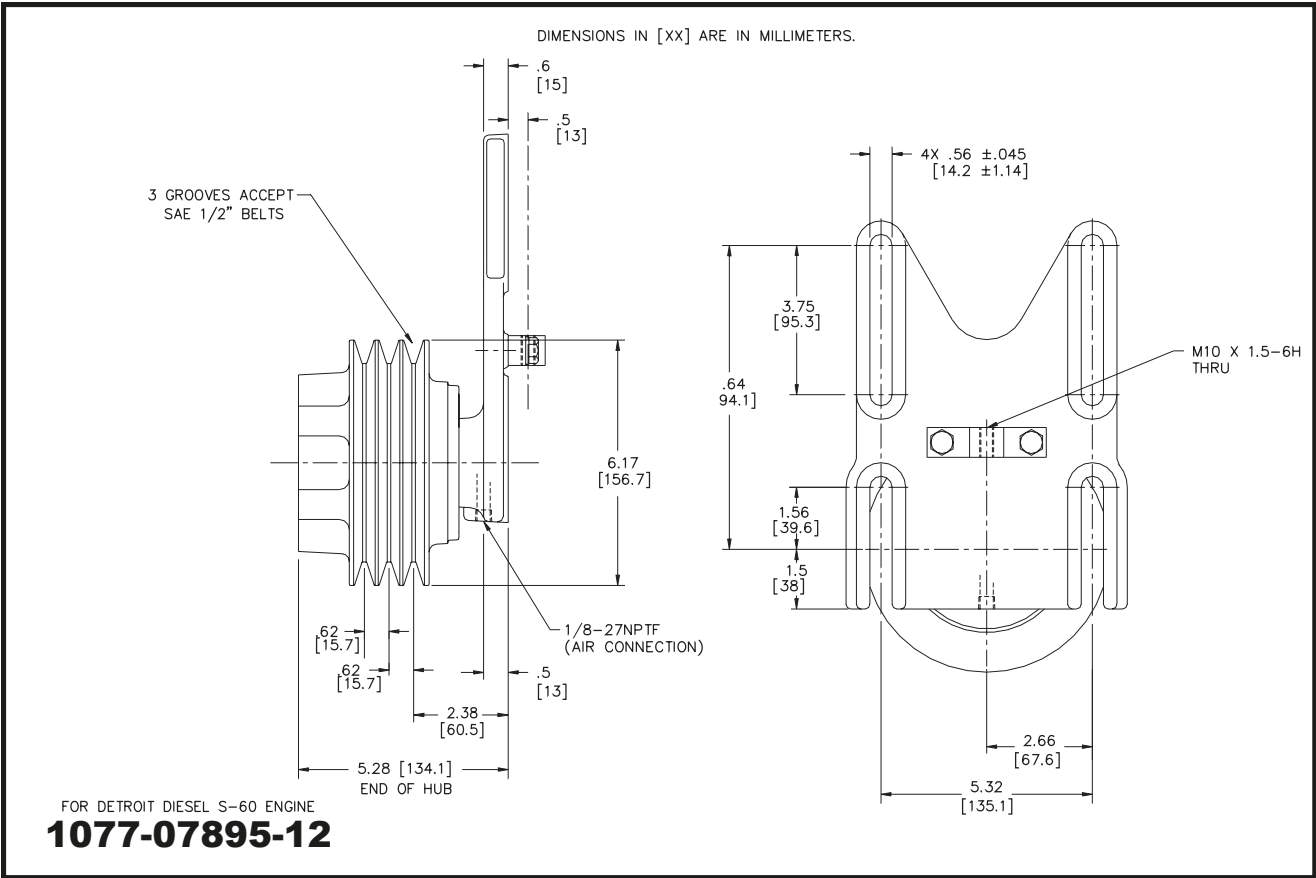


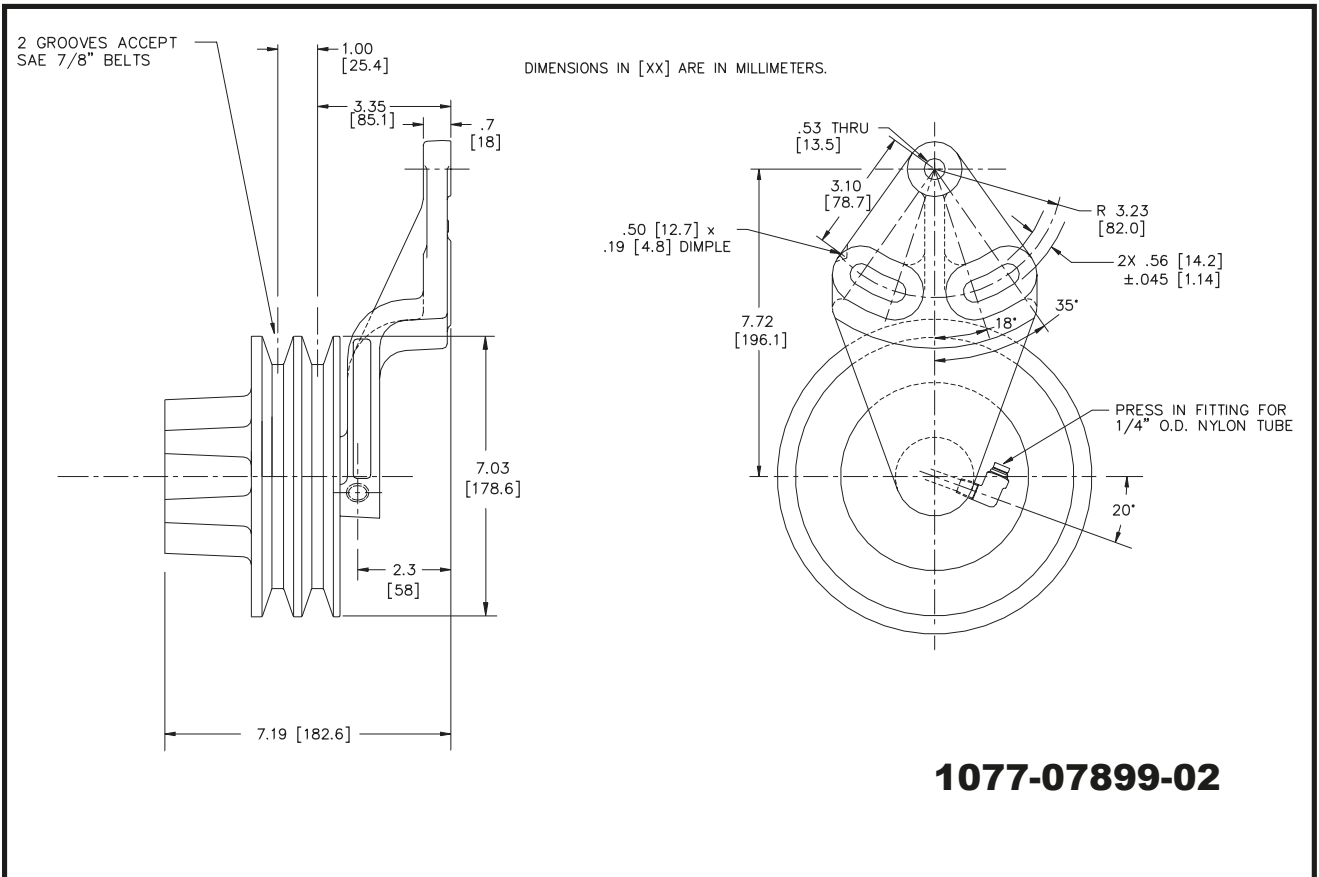
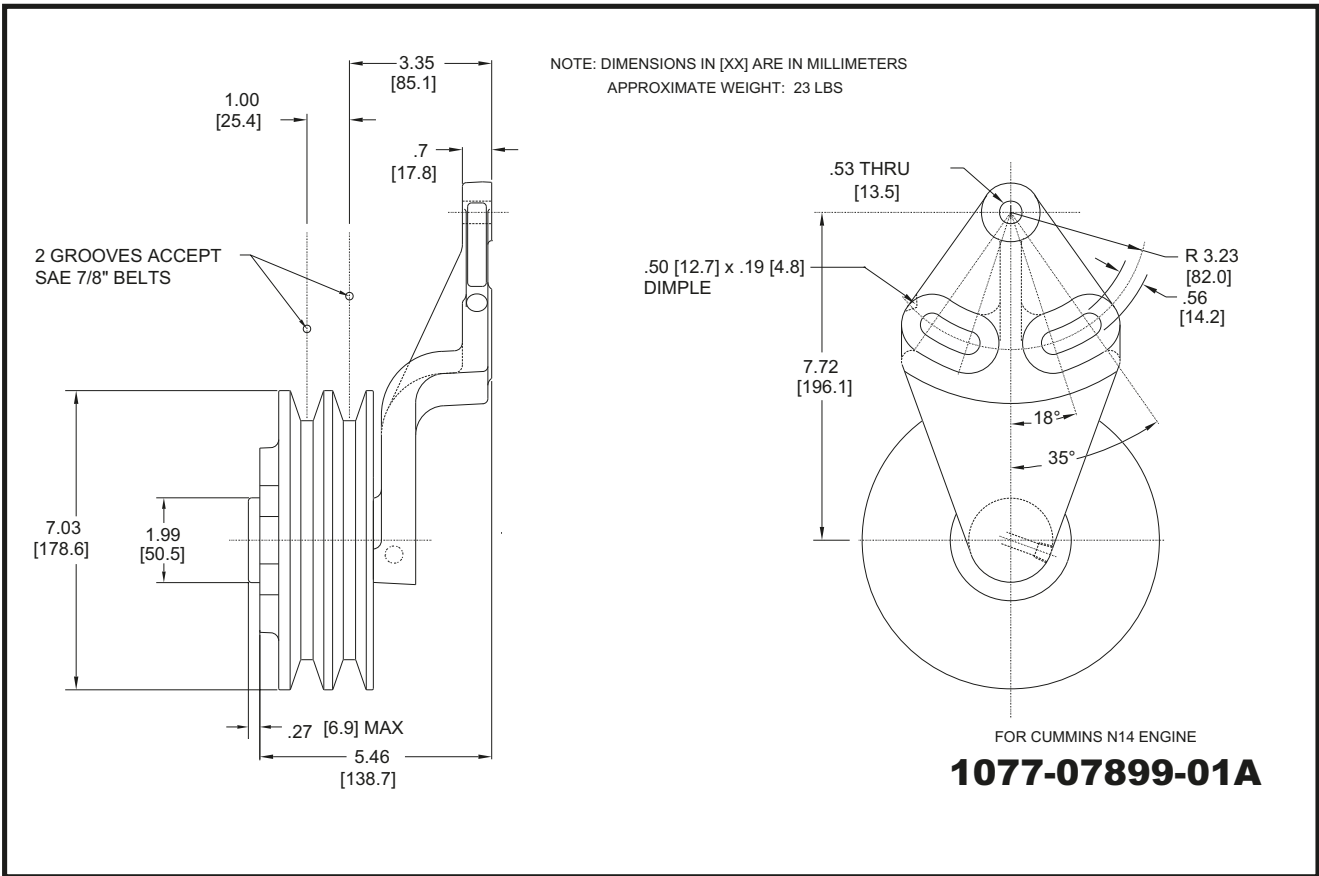
FOR CUMMINS N14 ENGINE

1077-07867-12

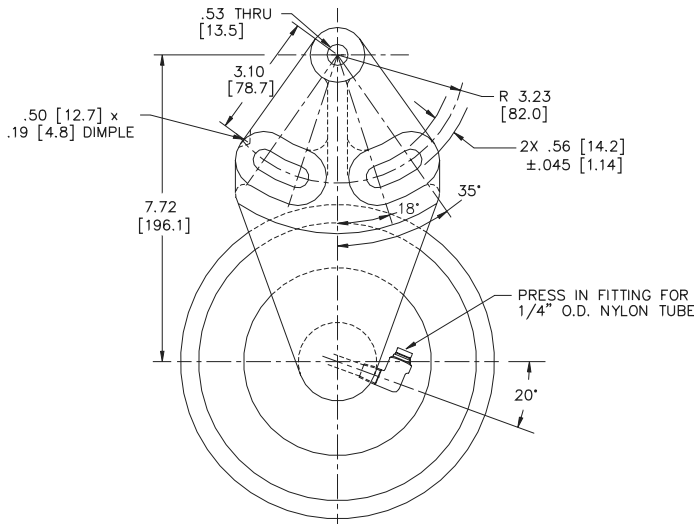






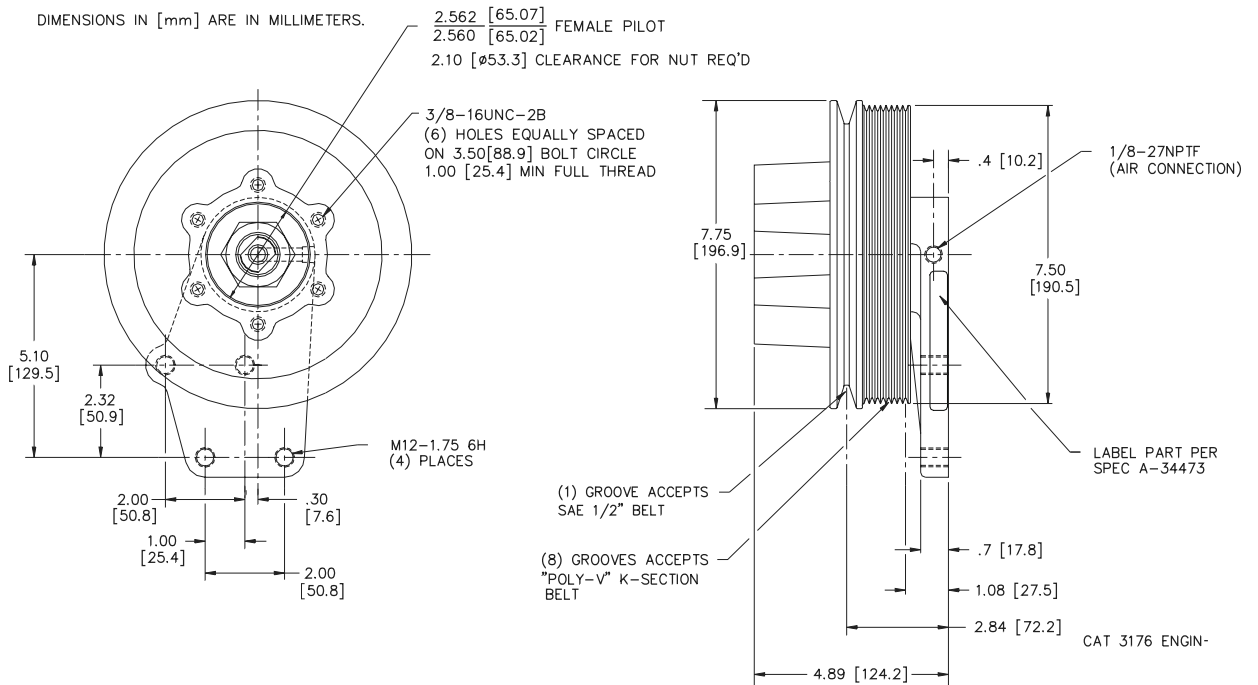


DIMENSIONS IN [xx] ARE IN MILLIMETERS.

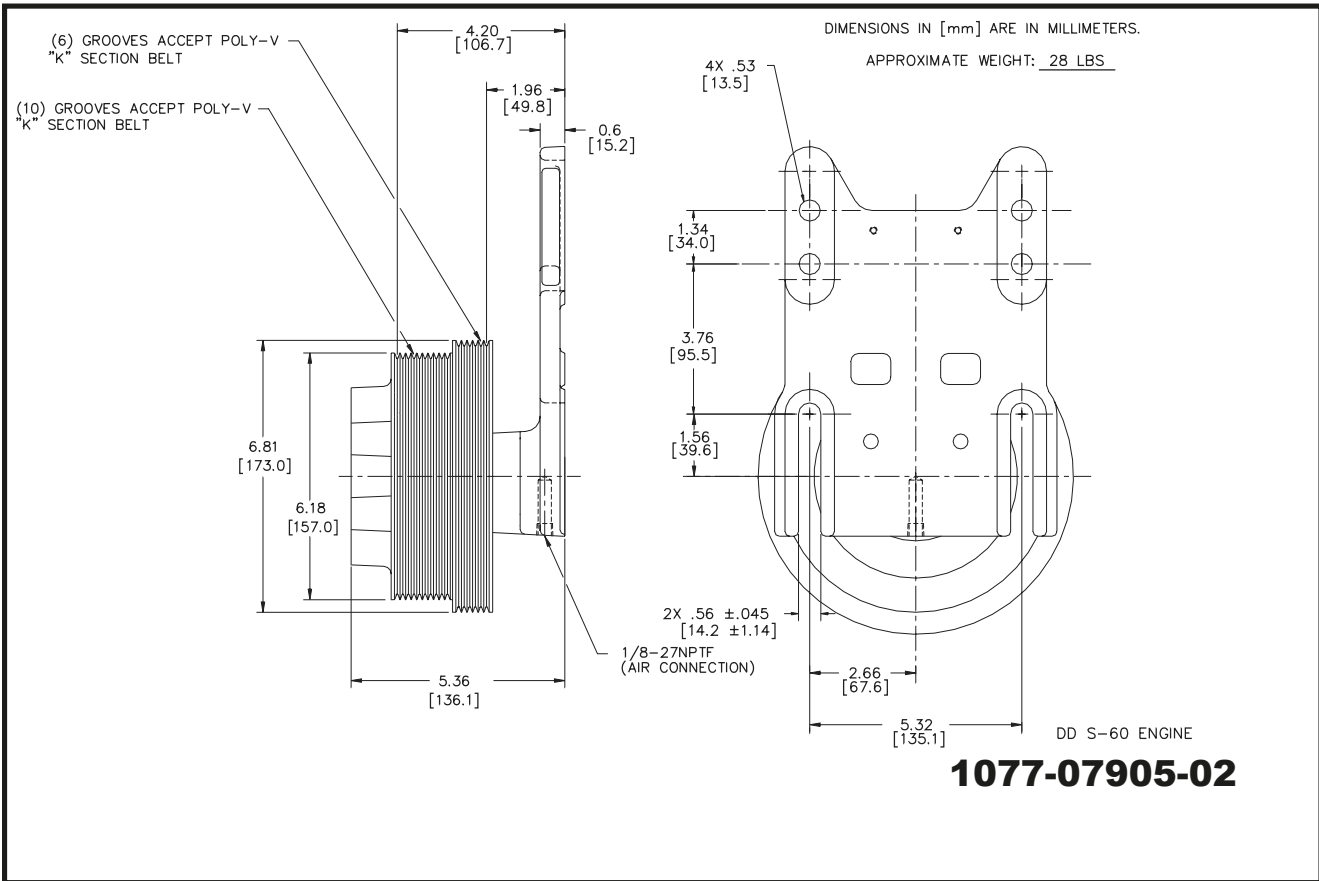
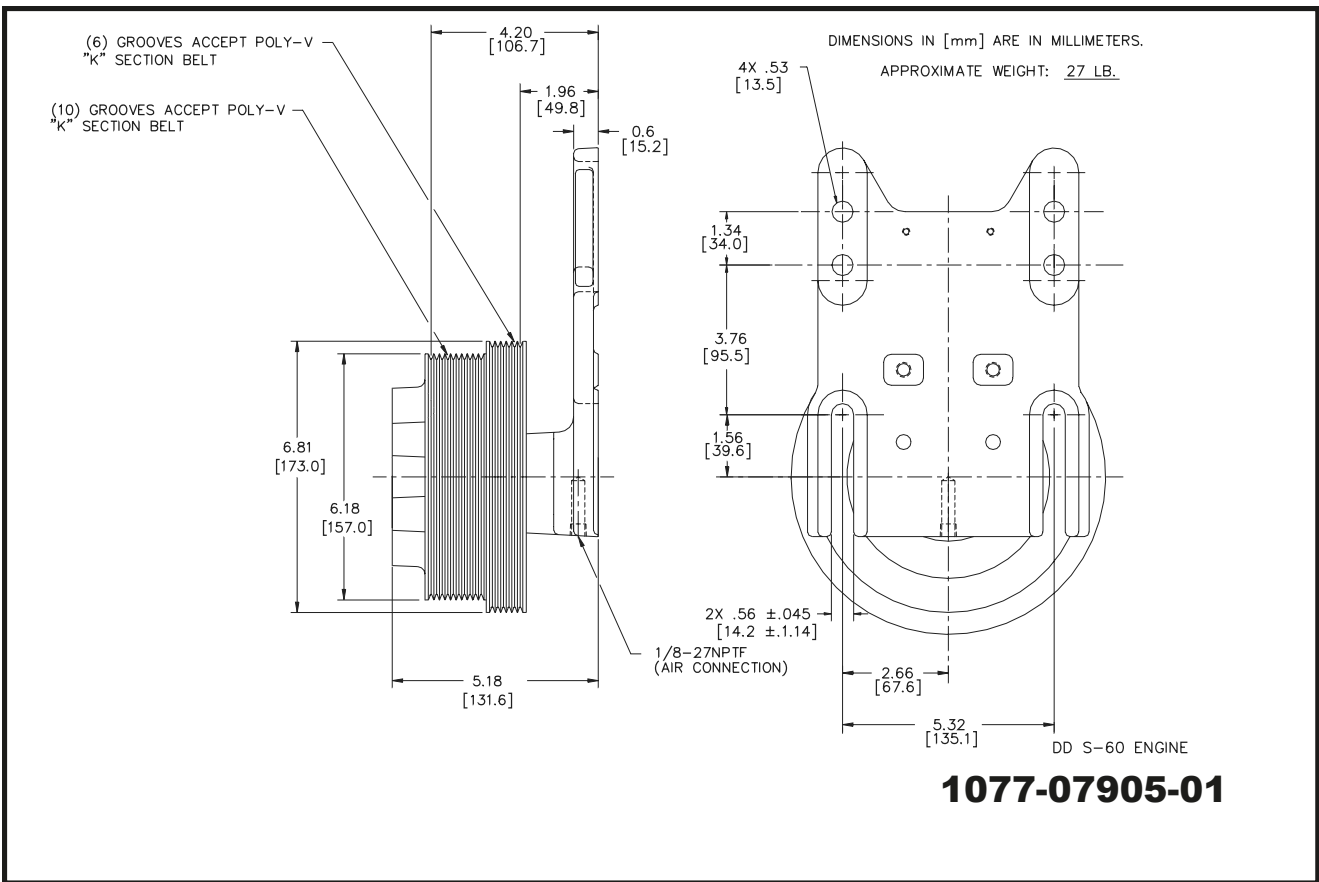


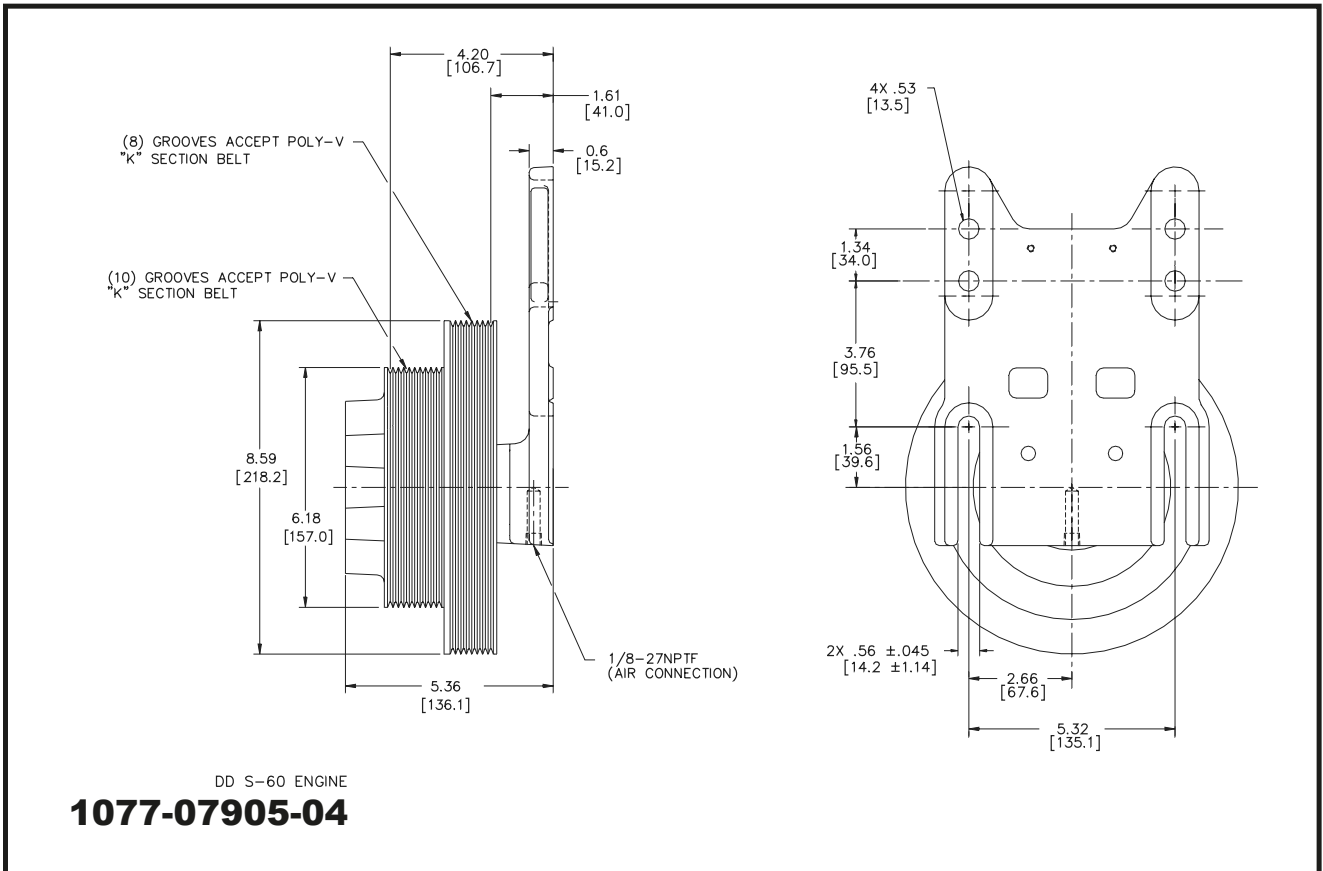
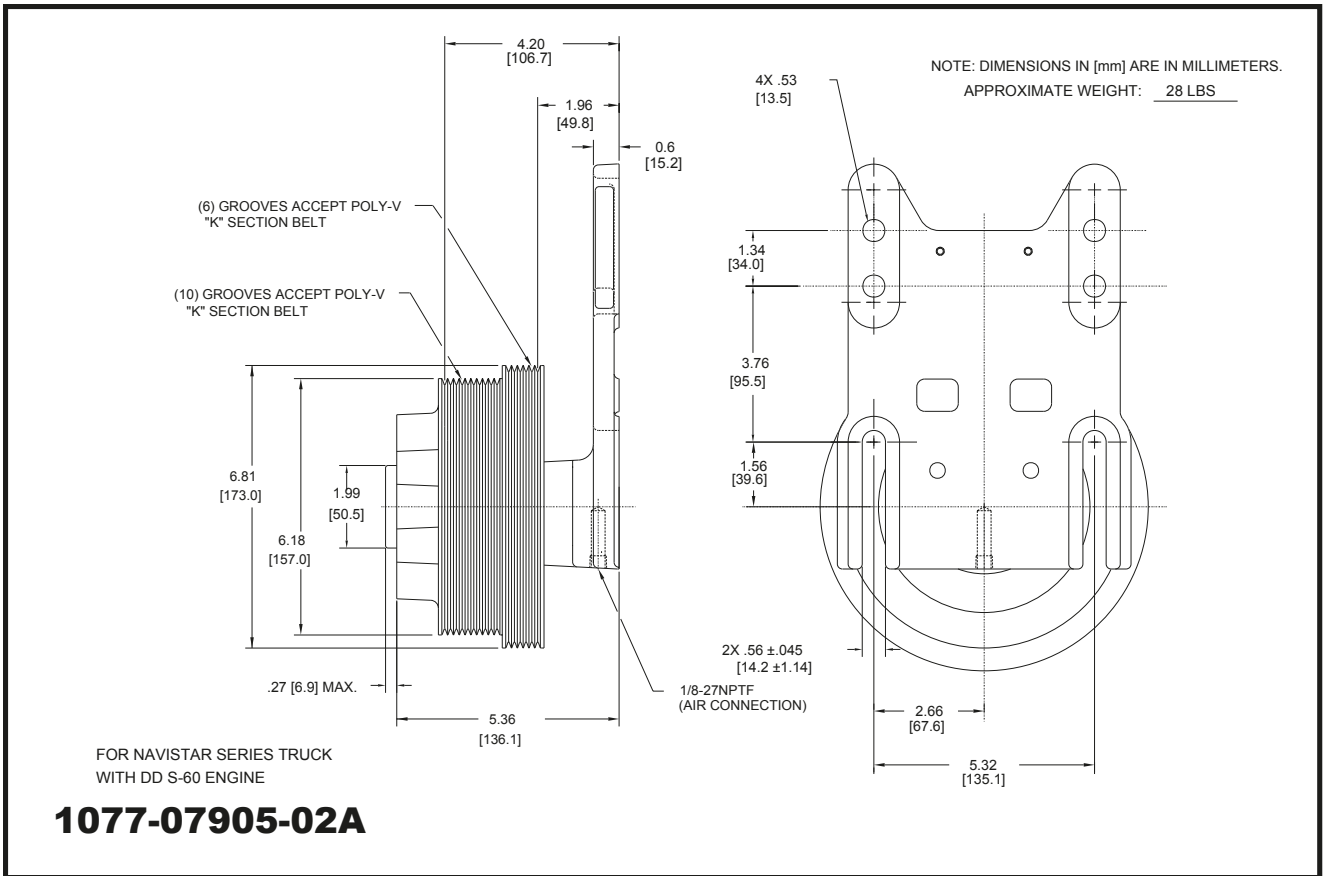
1077-07899-03

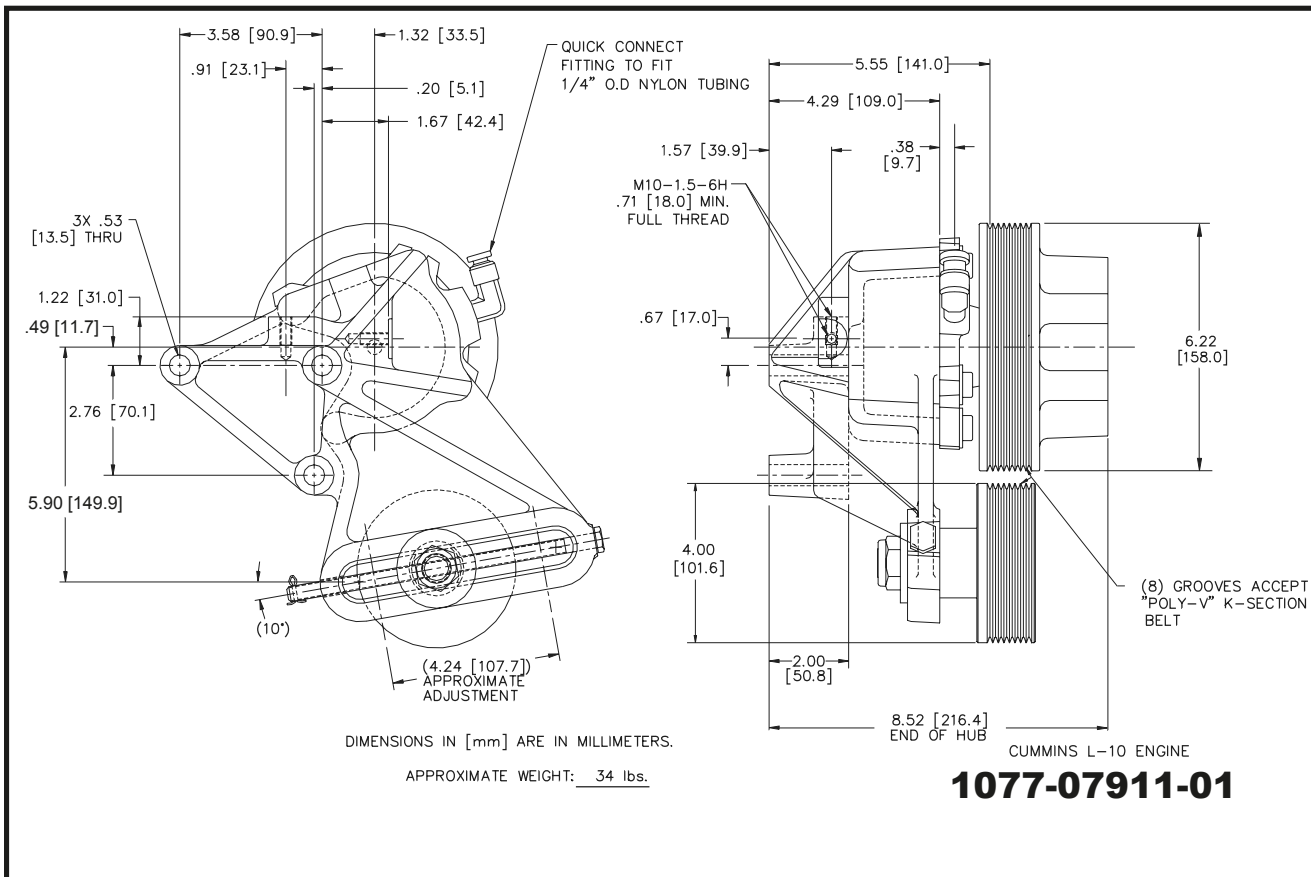
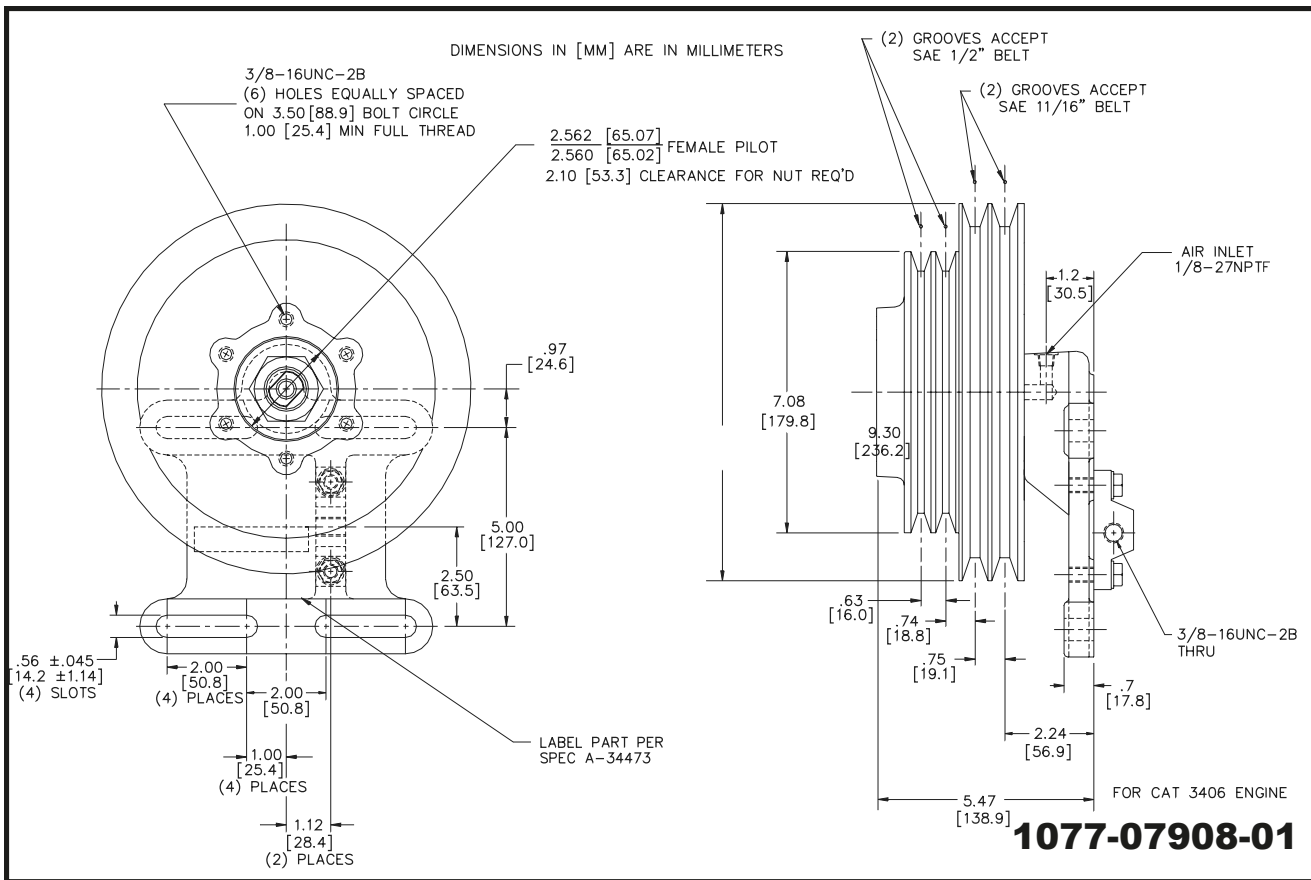
DIMENSIONS IN [mm] ARE IN MILLIMETERS.

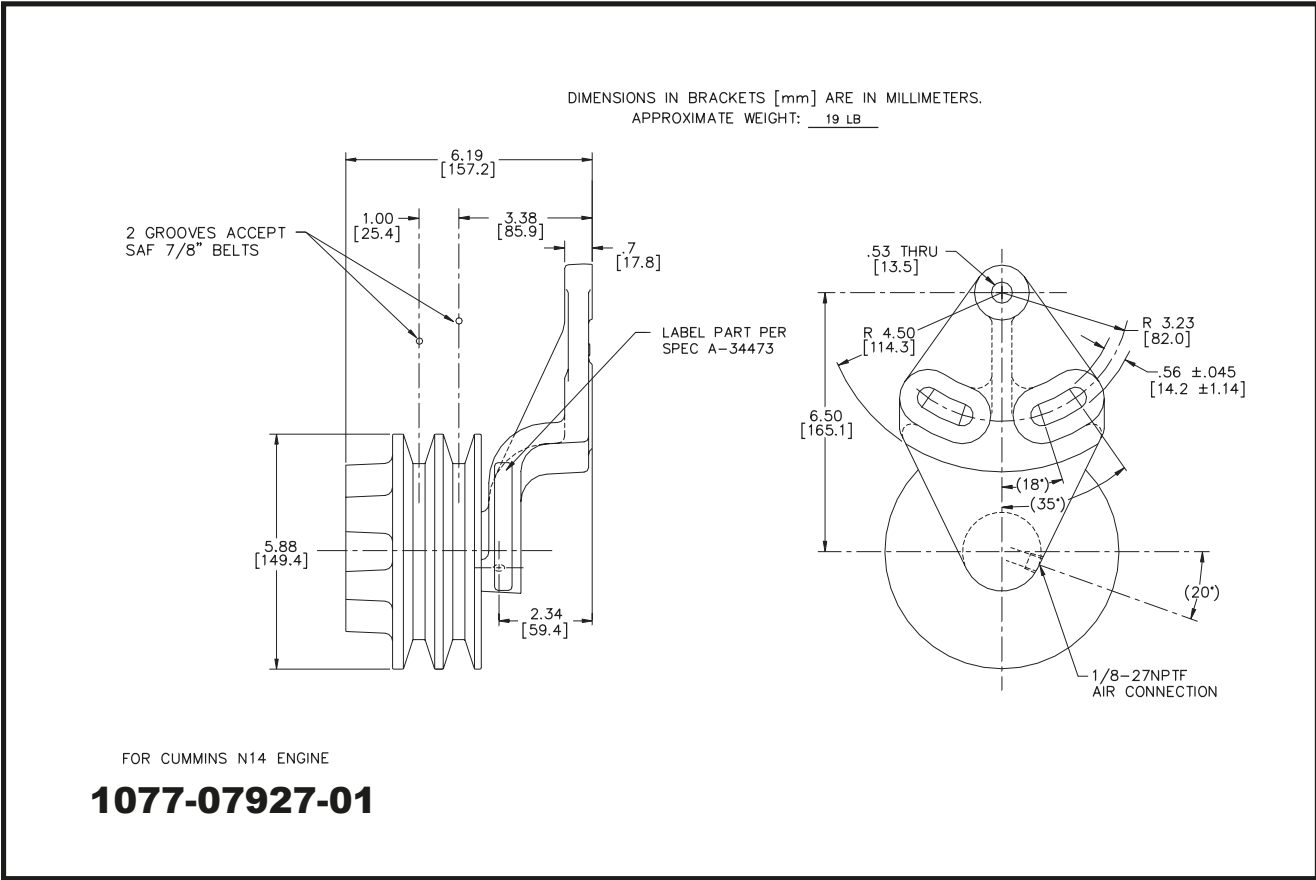
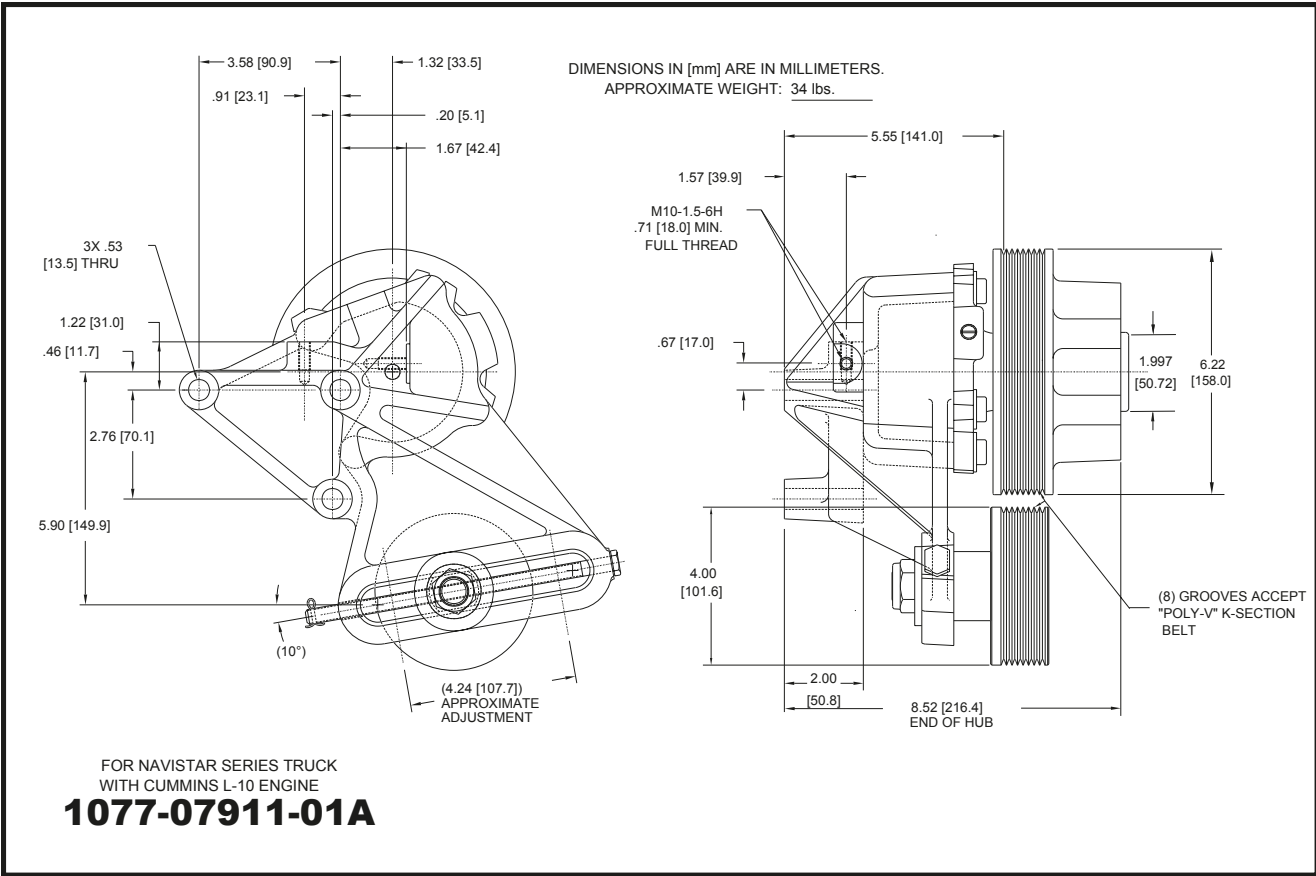


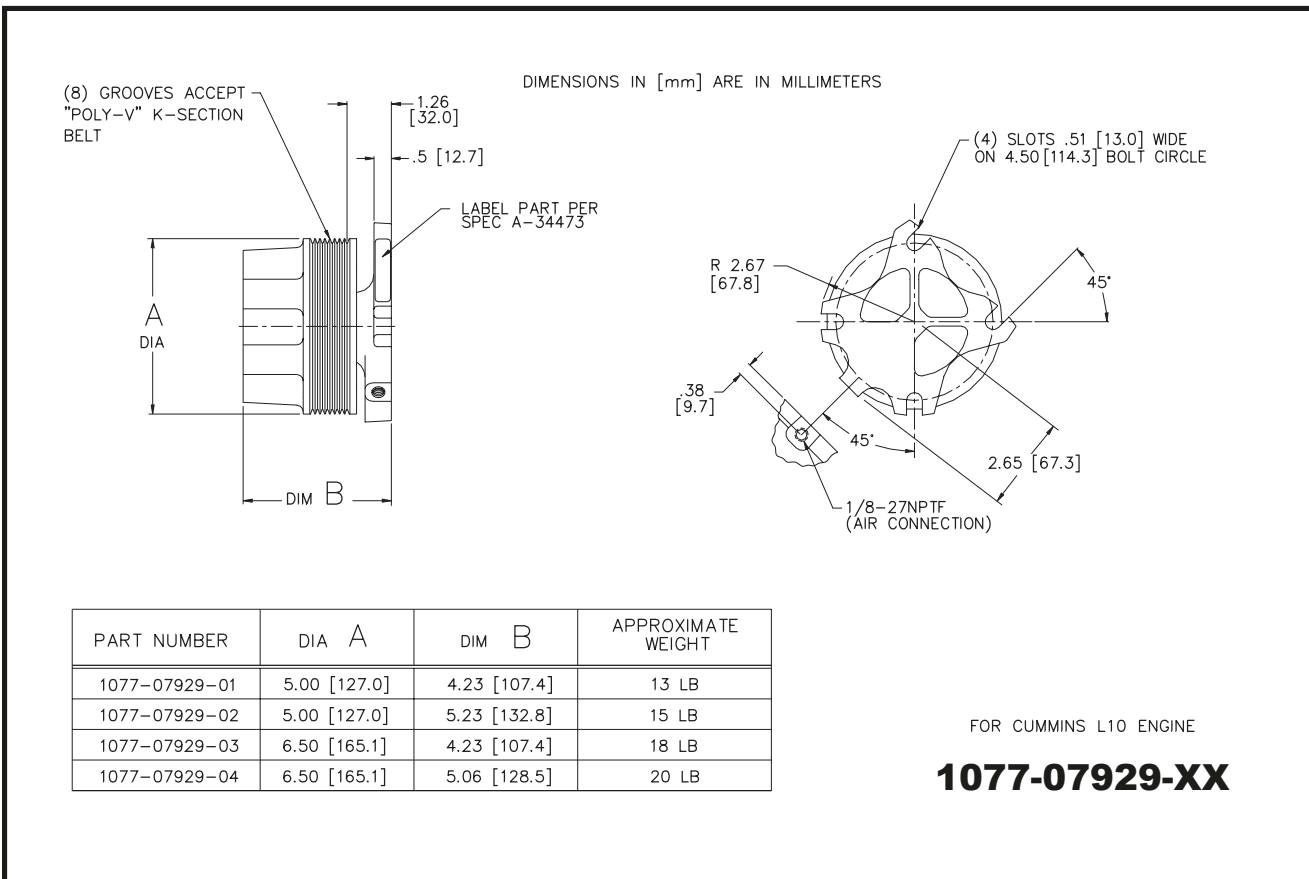
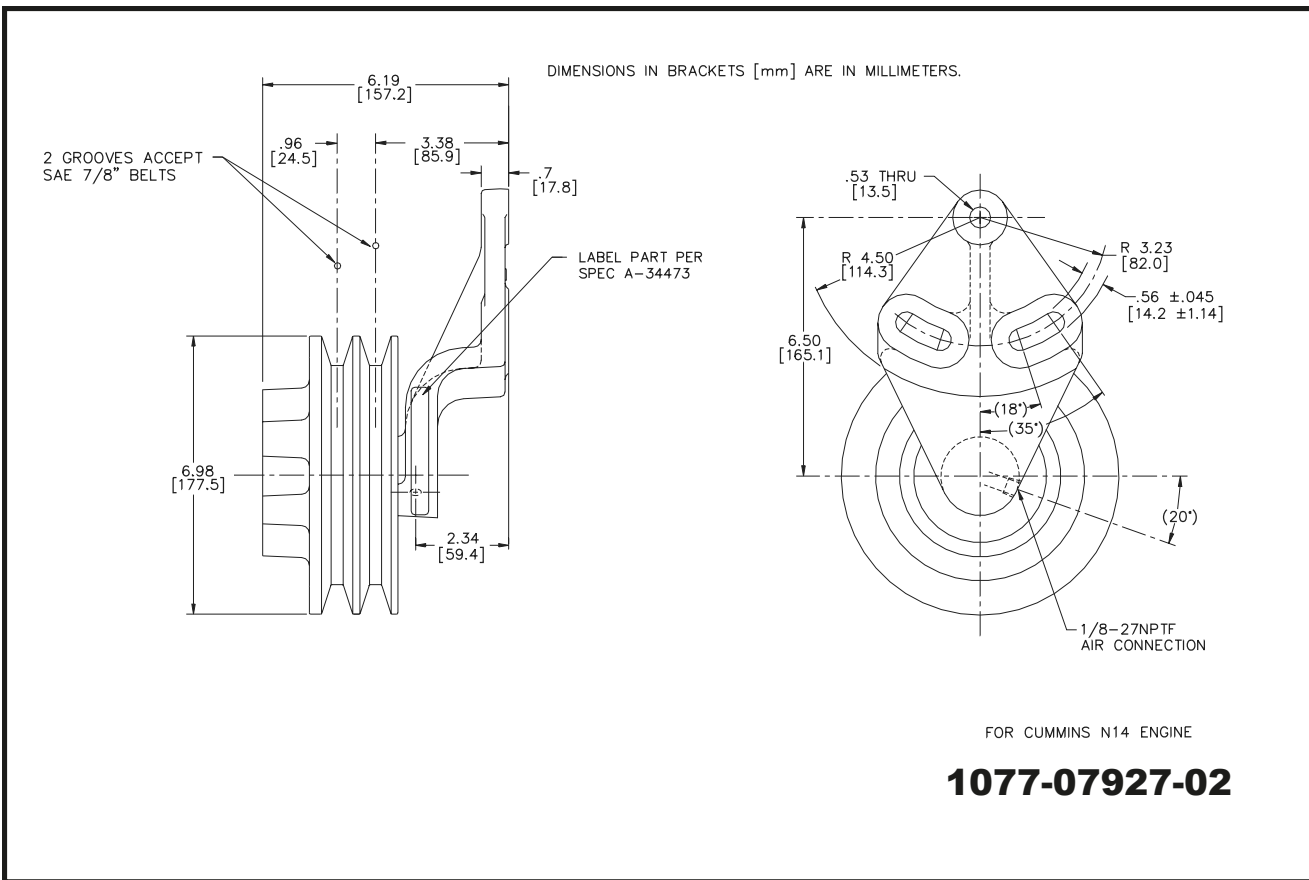
1077-07903-01





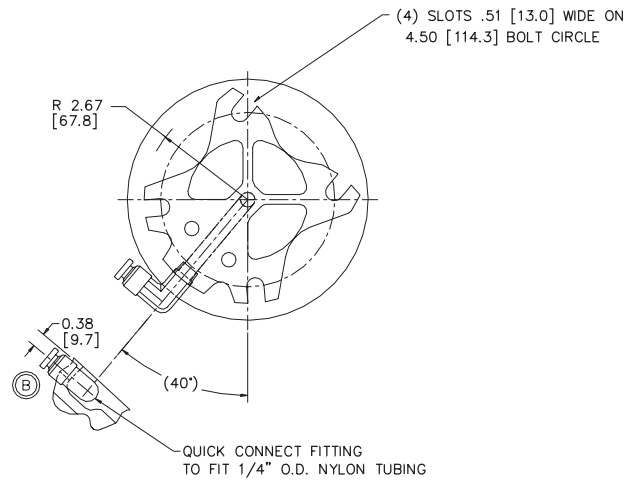
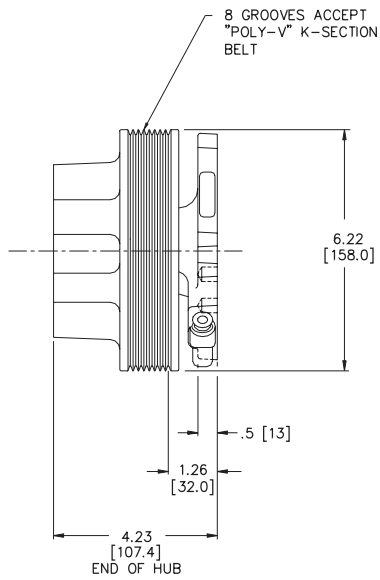






DIMENSIONS IN [XX] ARE IN MILLIMETERS.

APPROXIMATE WEIGHT: 14 lbs.

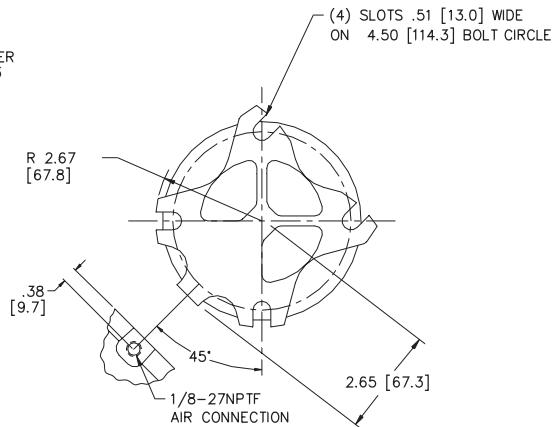
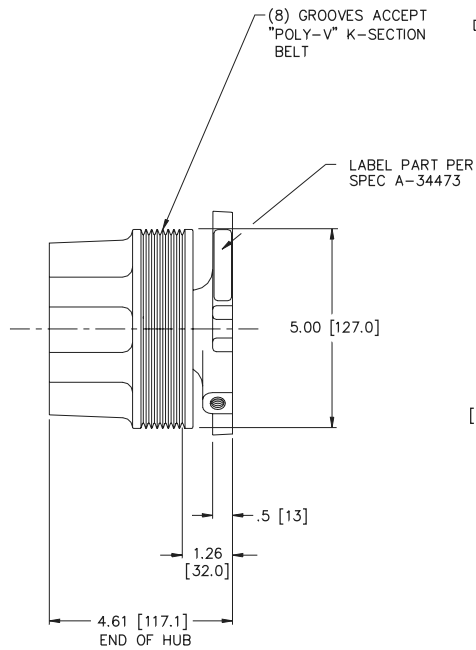


FOR CUMMINS L10 ENGINE

1077-07929-05

DIMENSIONS IN [XX] ARE IN MILLIMETERS.

APPROXIMATE WEIGHT: 13 LBS

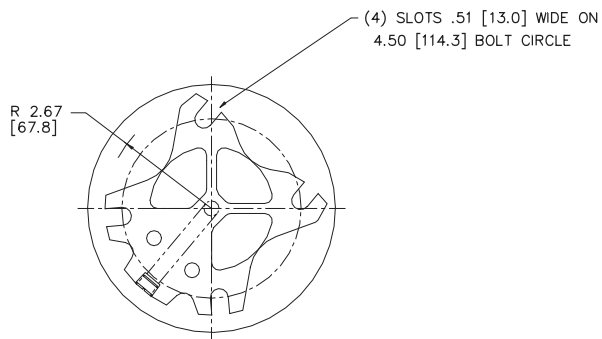
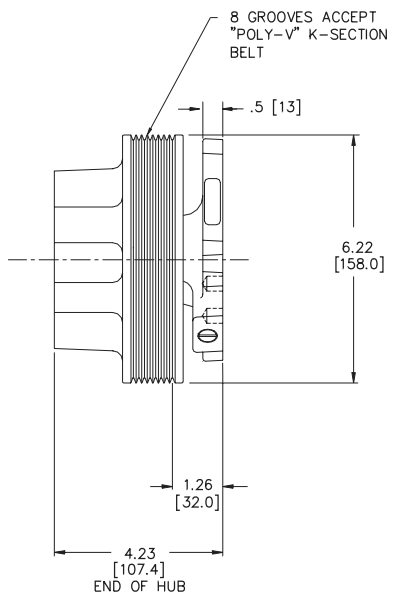


FOR CUMMINS M-11 ENGINE

1077-07929-06

DIMENSIONS IN [XX] ARE IN MILLIMETERS.

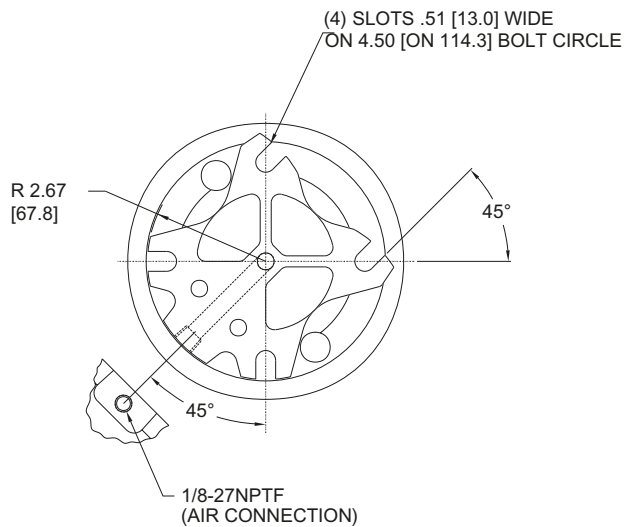
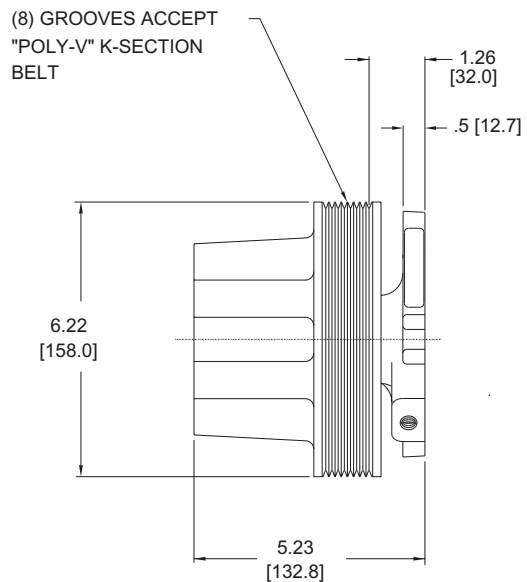
APPROXIMATE WEIGHT: 14 lbs



FOR CUMMINS L10 ENGINE

1077-07929-07

NOTE: DIMENSIONS IN [mm] ARE IN MILLIMETERS

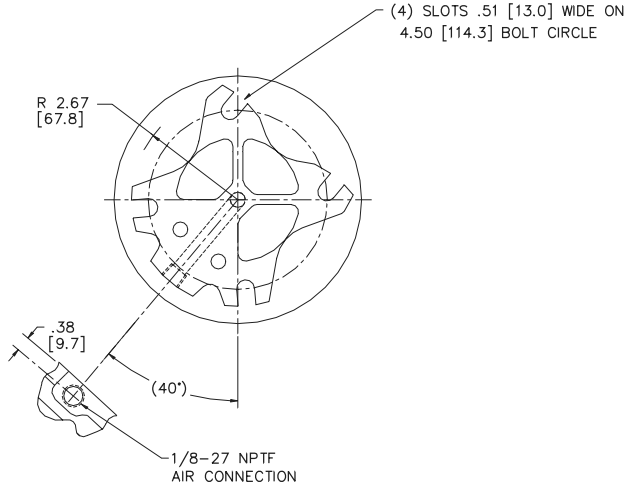
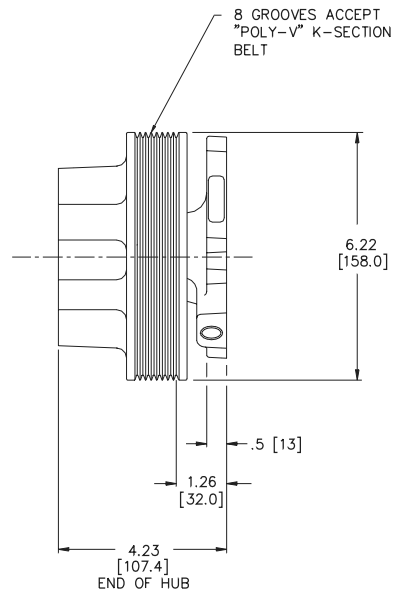


FOR CUMMINS M11 ENGINE

1077-07929-07A

DIMENSIONS IN [XX] ARE IN MILLIMETERS.

APPROXIMATE WEIGHT: 14 lbs.

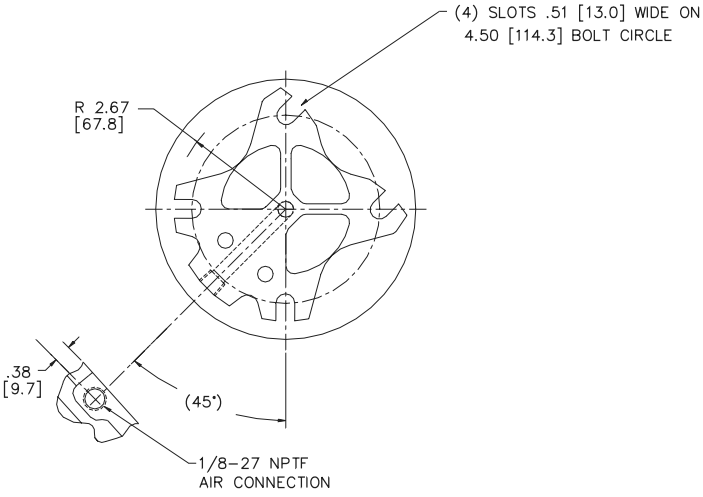
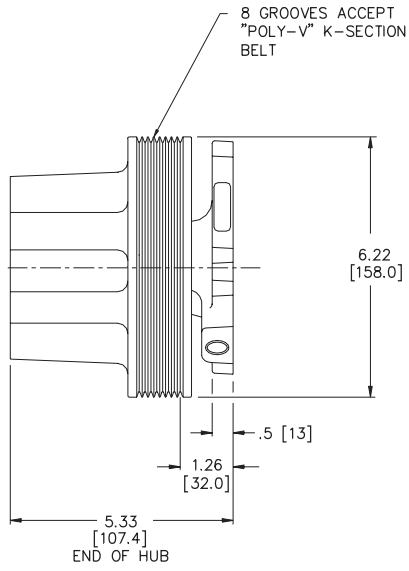


FOR CUMMINS L10 ENGINE

1077-07929-08

DIMENSIONS IN [XX] ARE IN MILLIMETERS.

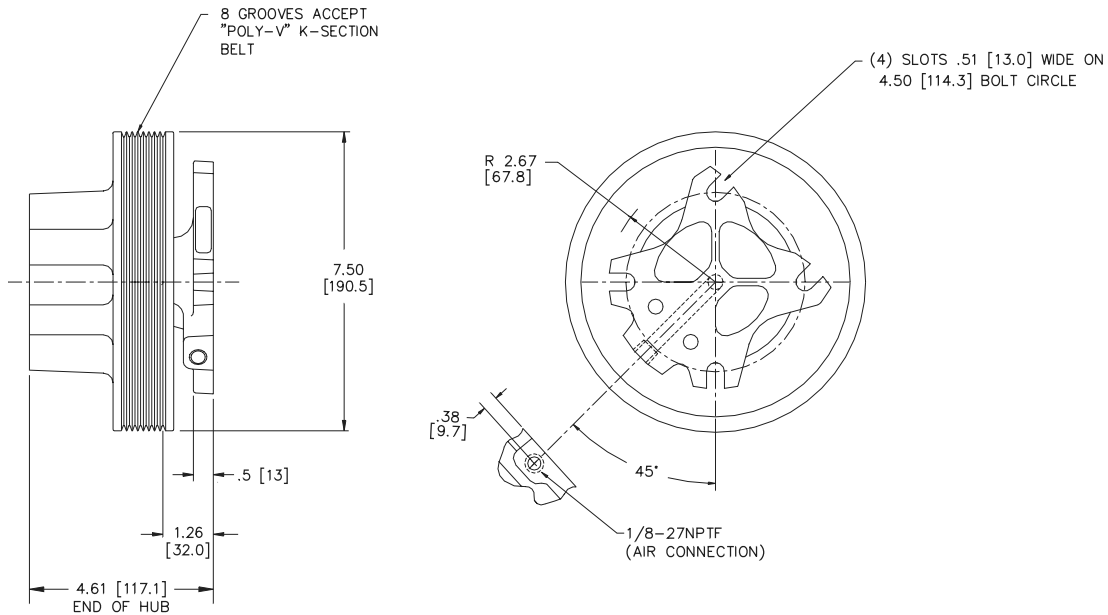
APPROXIMATE WEIGHT: 14 lbs.



FOR CUMMINS L10 ENGINE

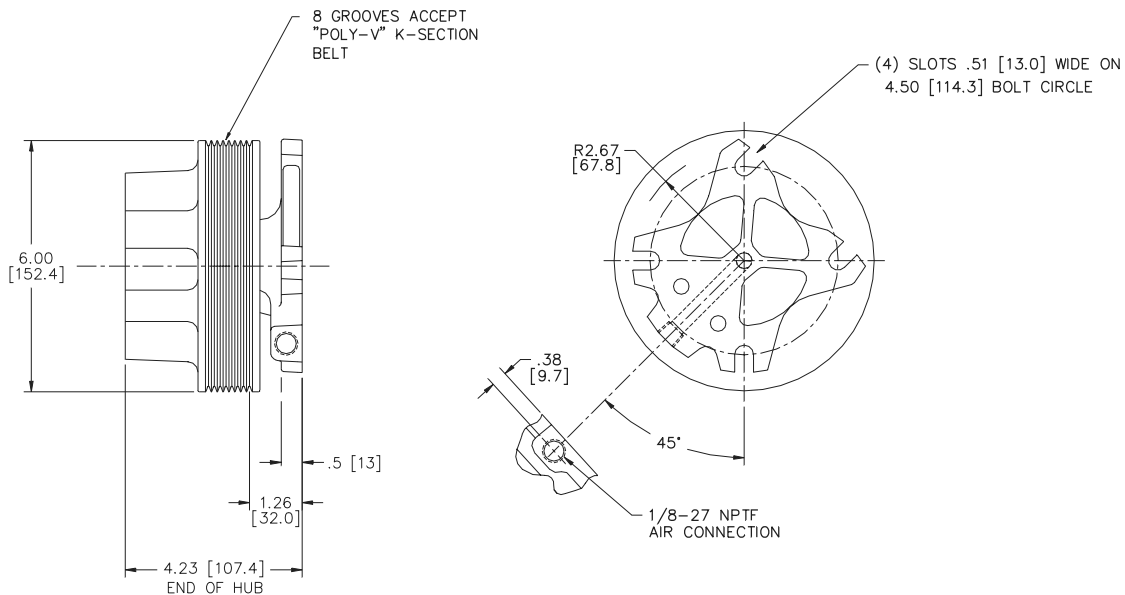
1077-07929-09

DIMENSIONS IN [XX] ARE IN MILLIMETERS.

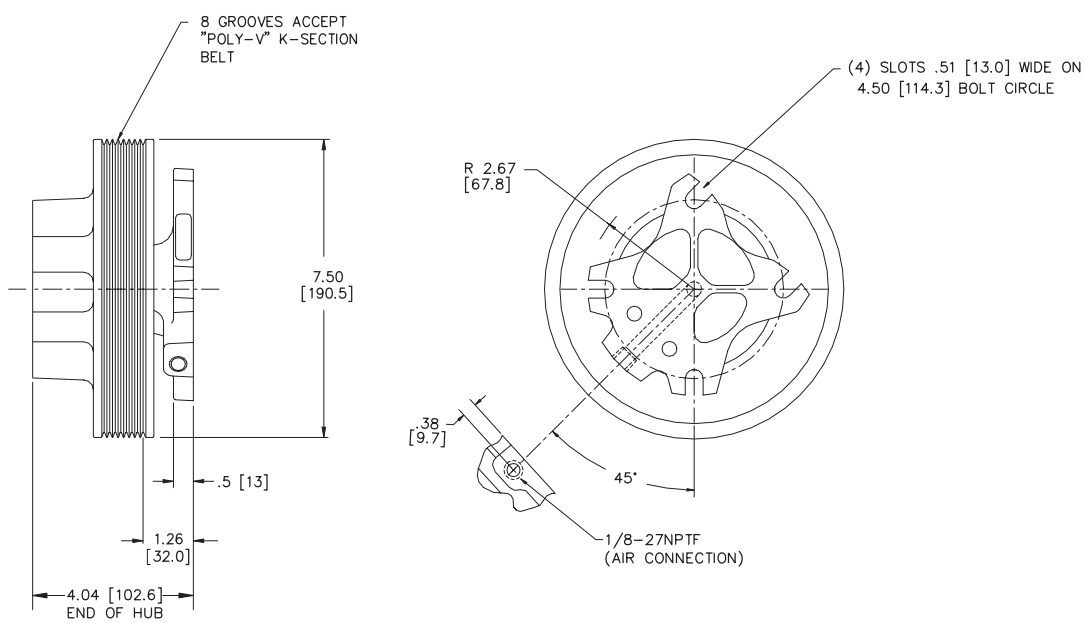


FOR CUMMINS M11 ENGINE
1077-07929-10

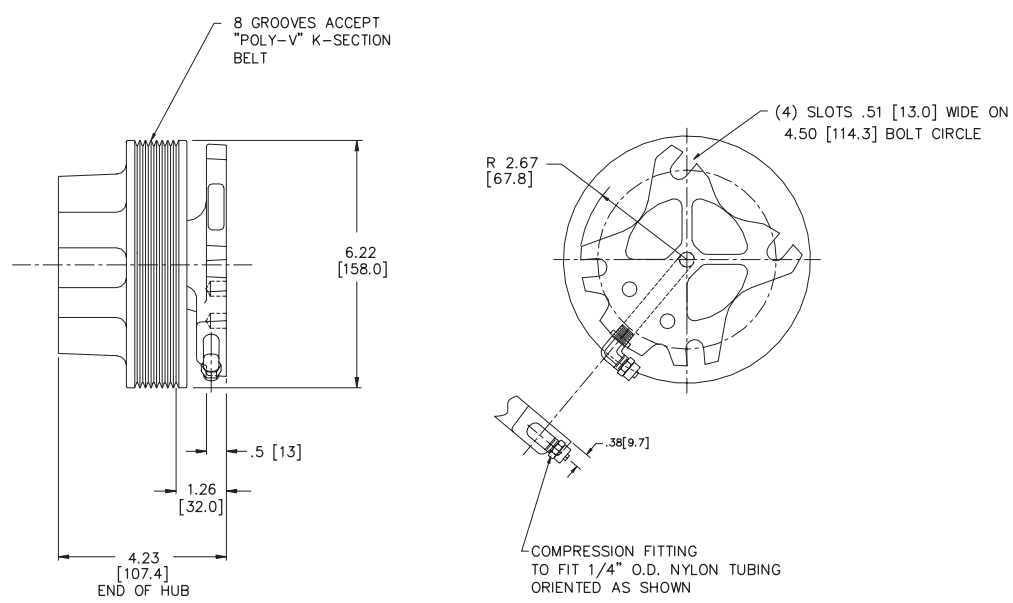
DIMENSIONS IN [XX] ARE IN MILLIMETERS.



FOR CUMMINS L10/M11 ENGINES
1077-07929-12

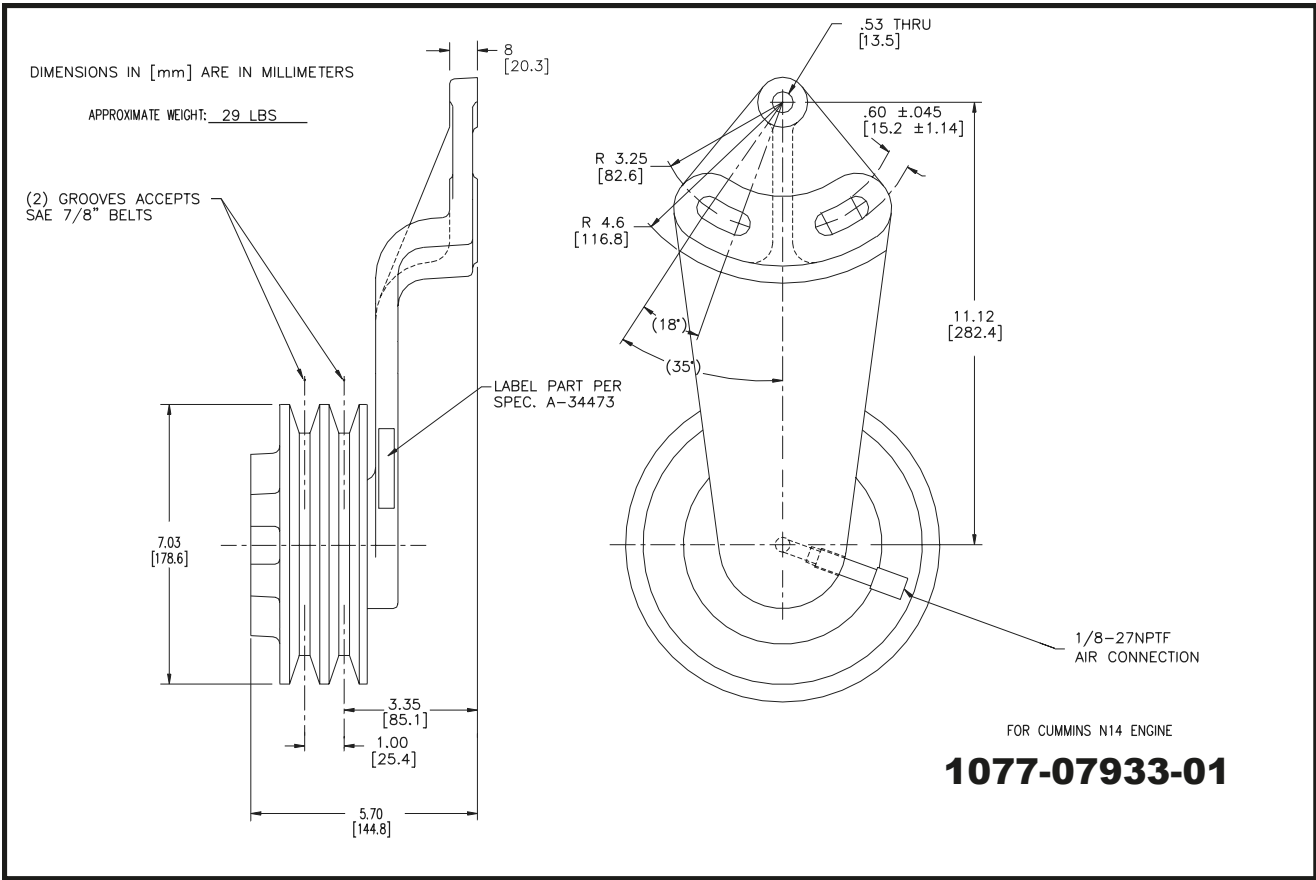
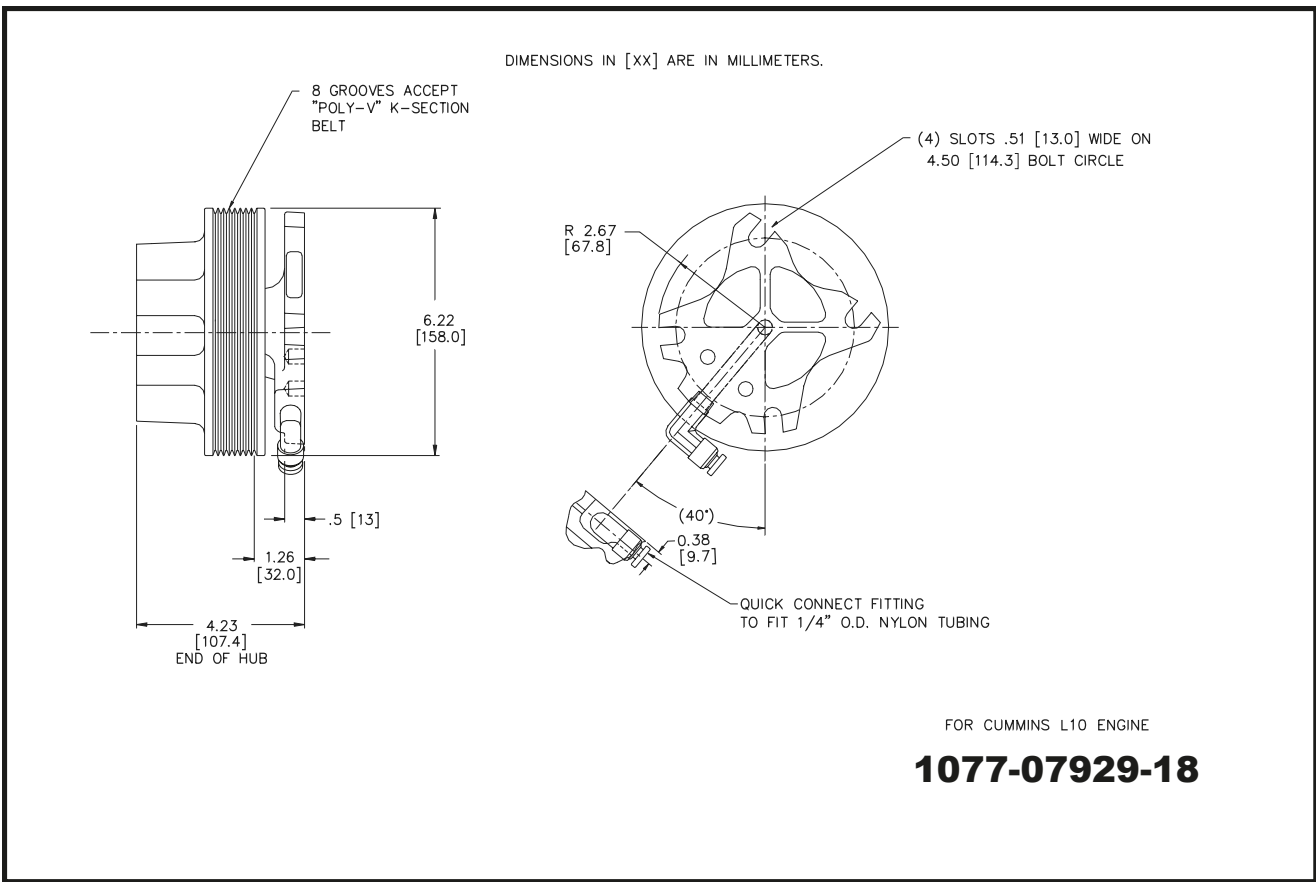


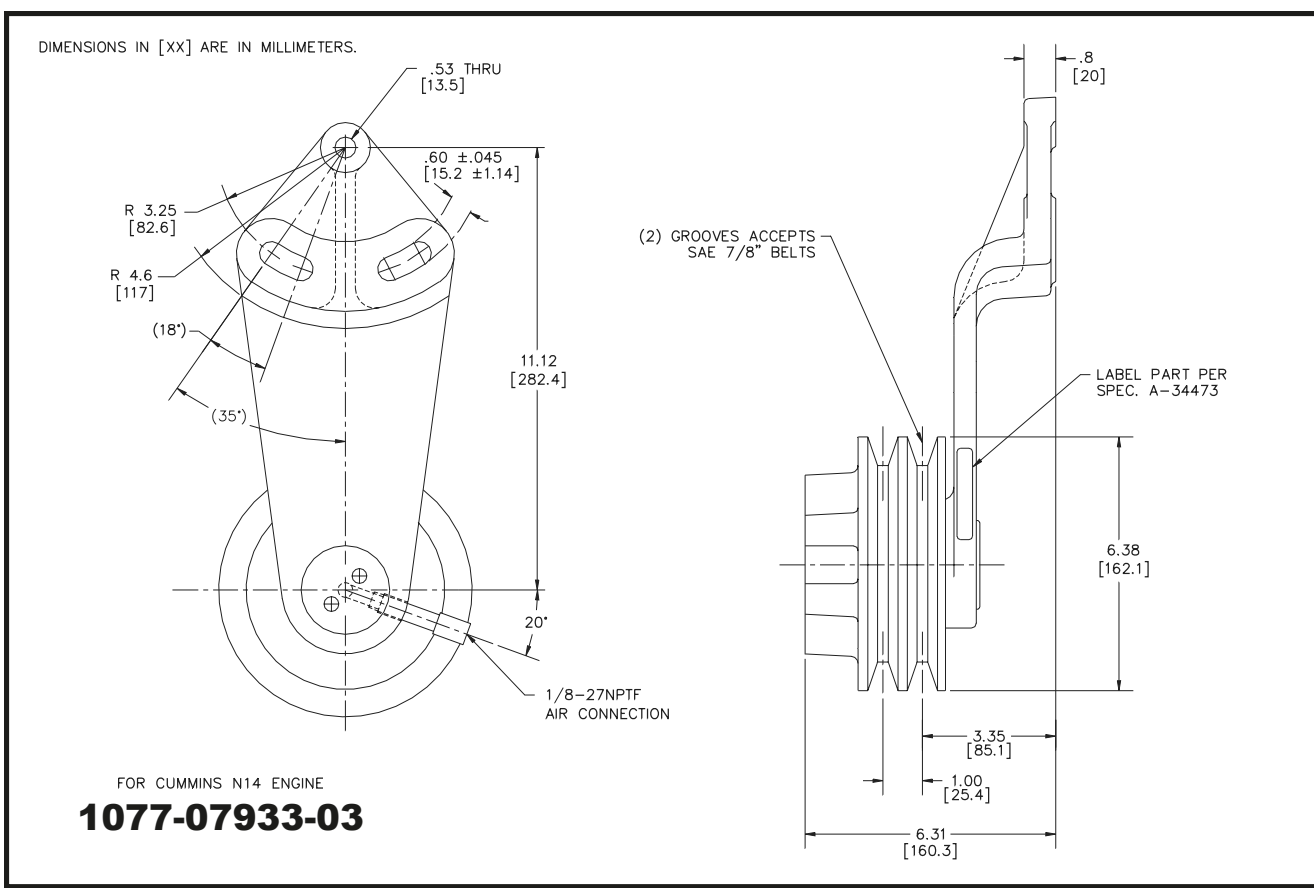
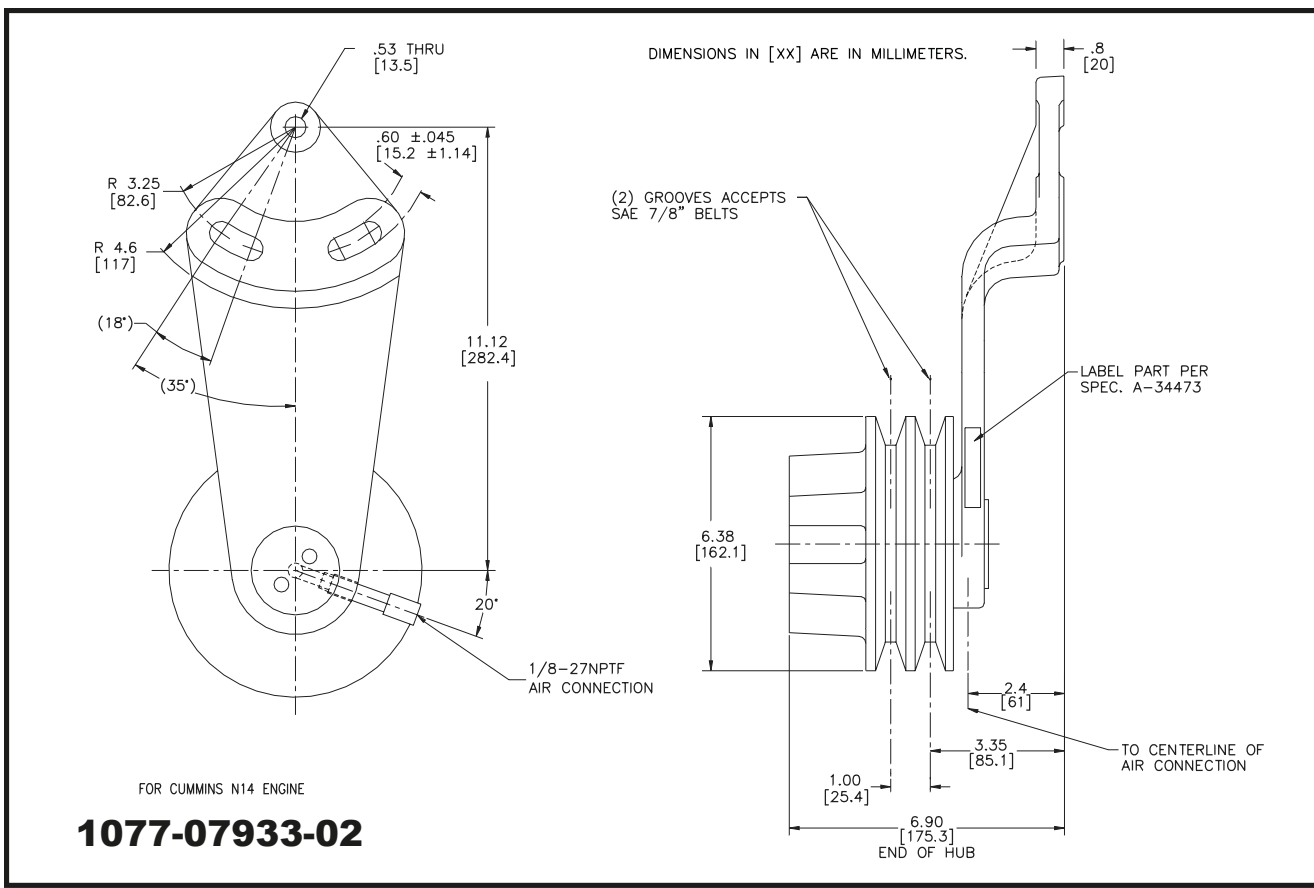
FOR CUMMINS M11 ENGINE
1077-07929-13

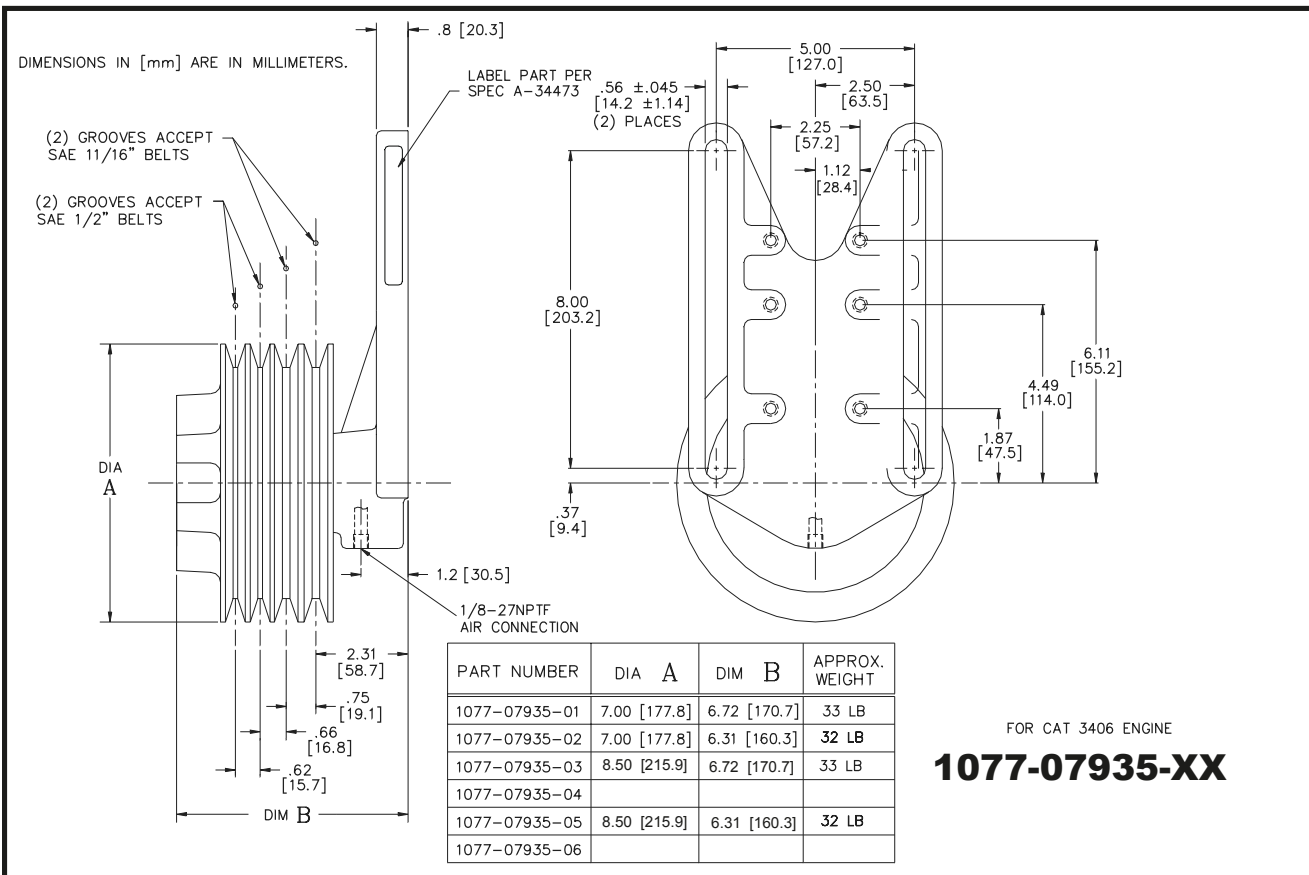
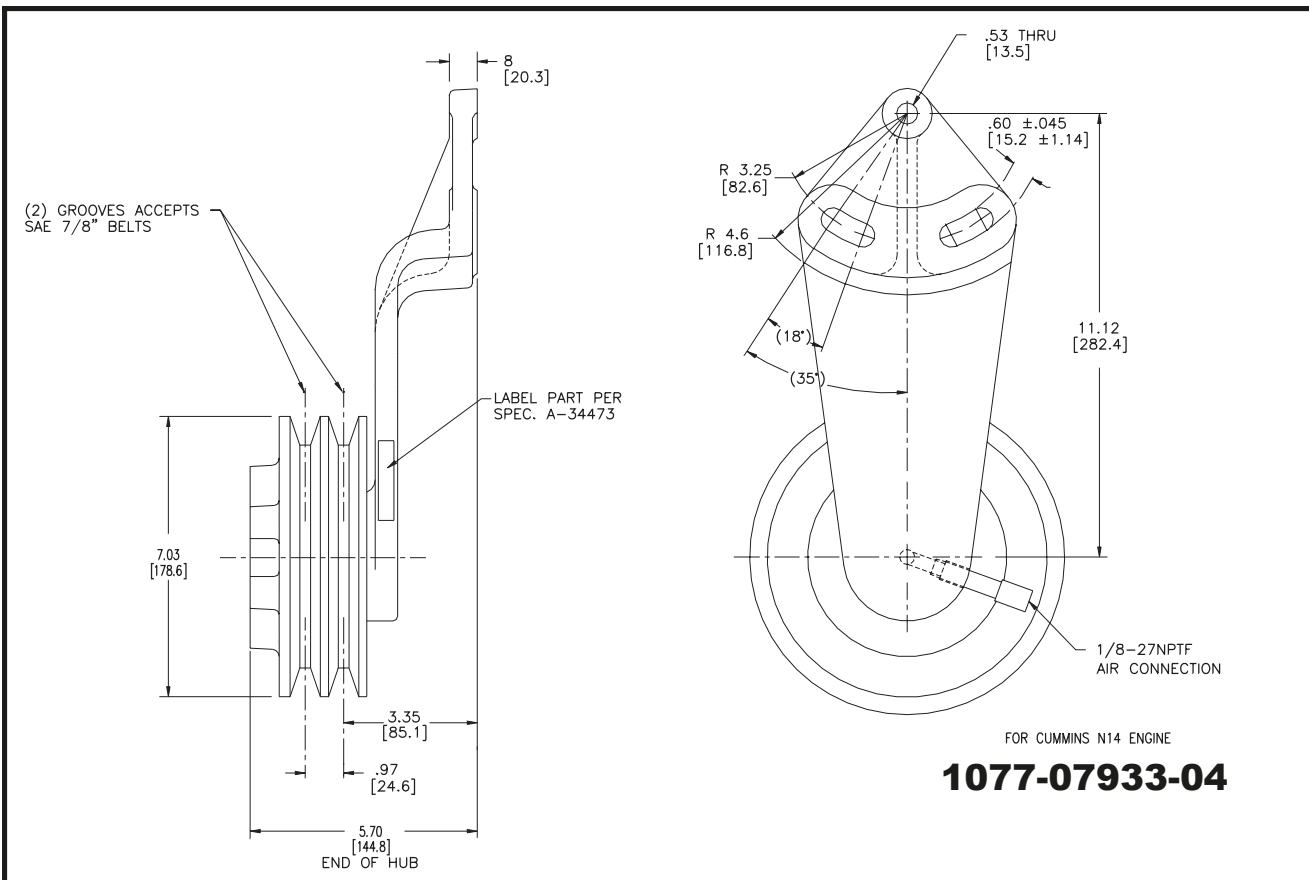


DIMENSIONS IN [XX] ARE IN MILLIMETERS.

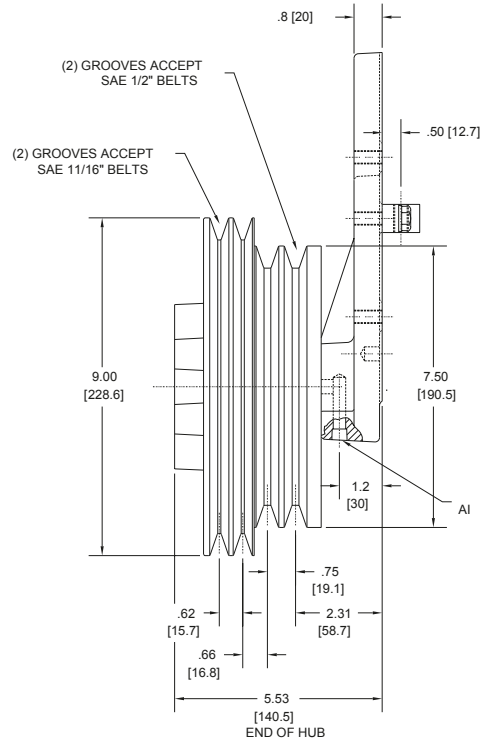
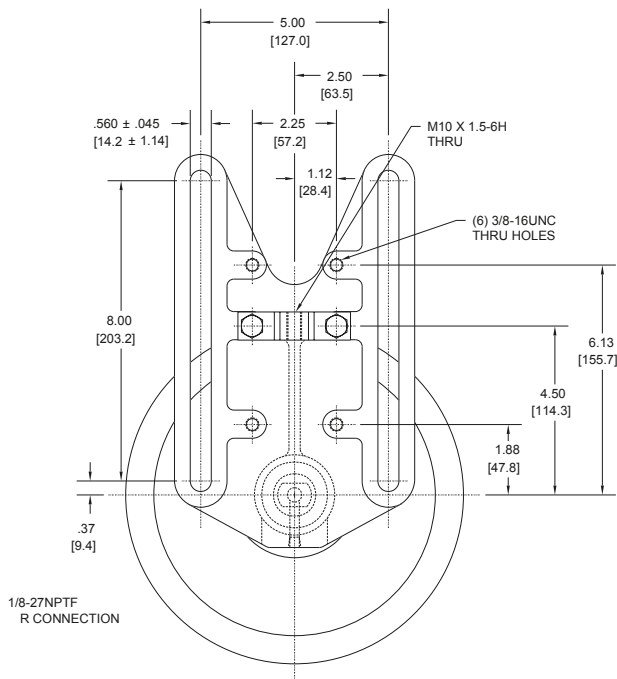
FOR CUMMINS L10 ENGINE
1077-07929-17





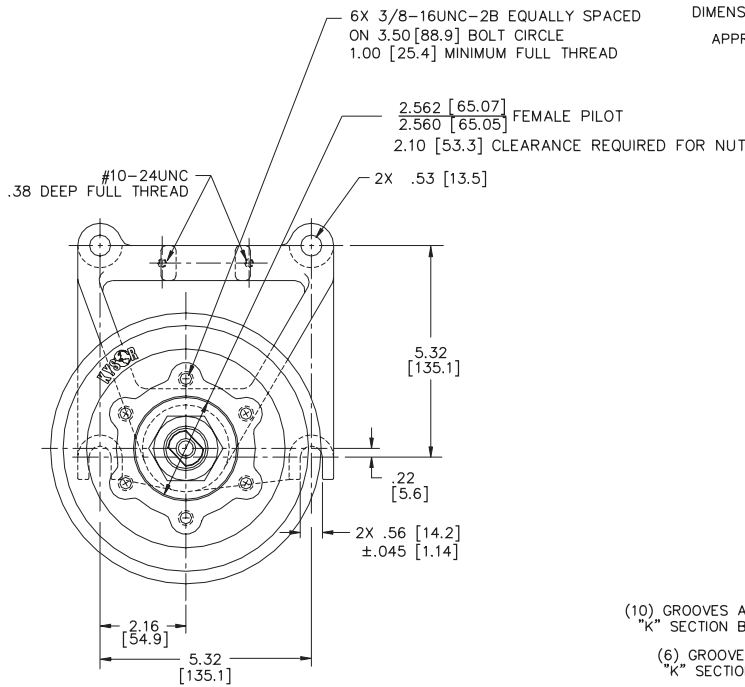


NOTE: DIMENSIONS IN [XX] ARE IN MILLIMETERS



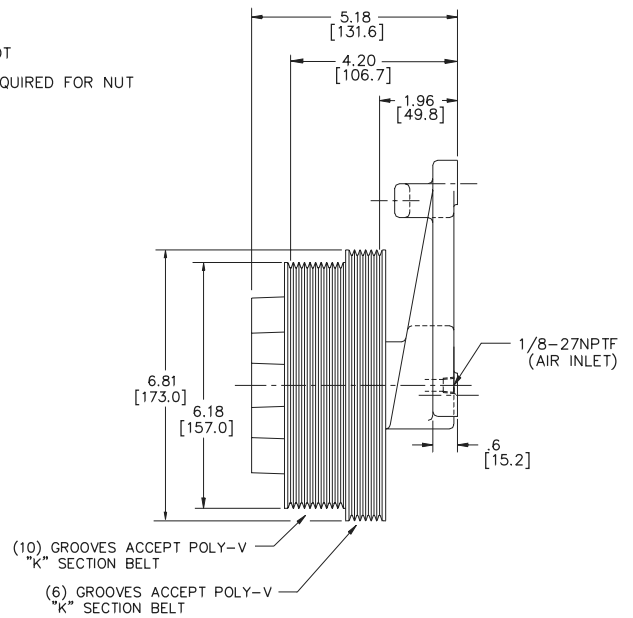
1077-07935-04

OUTLINE DRAWINGS



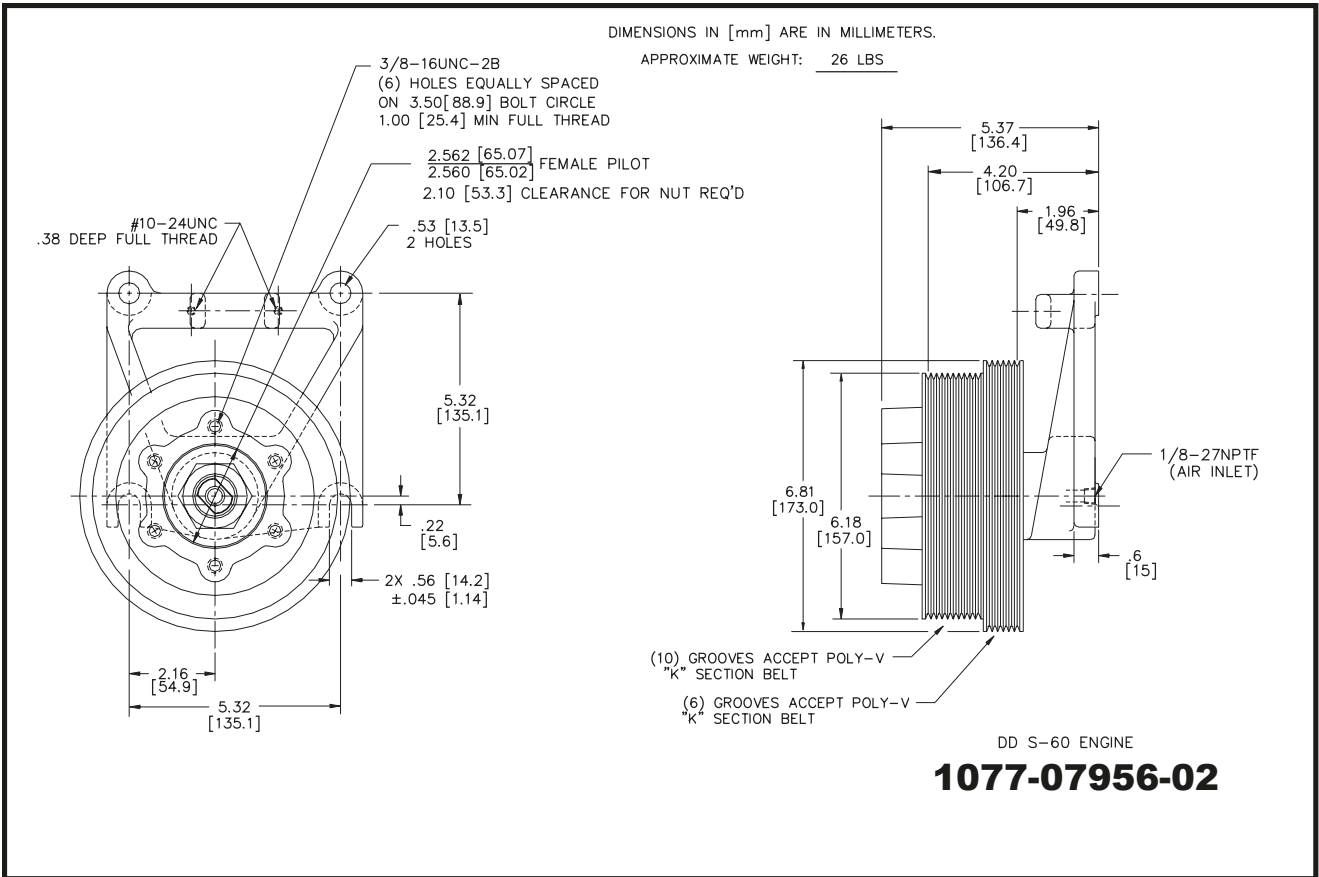
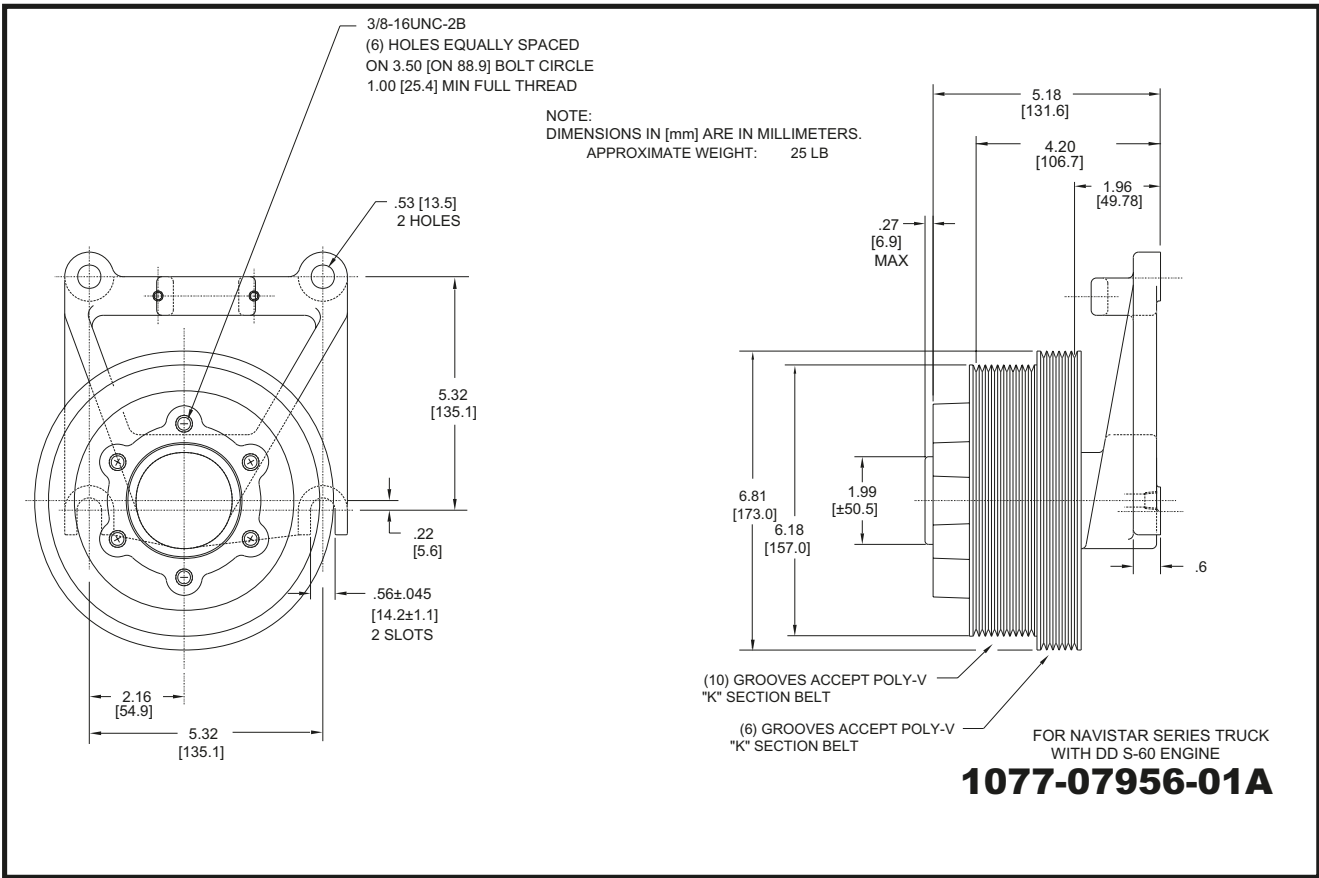
DIMENSIONS IN [mm] ARE IN MILLIMETERS.

APPROXIMATE WEIGHT: 24 LB

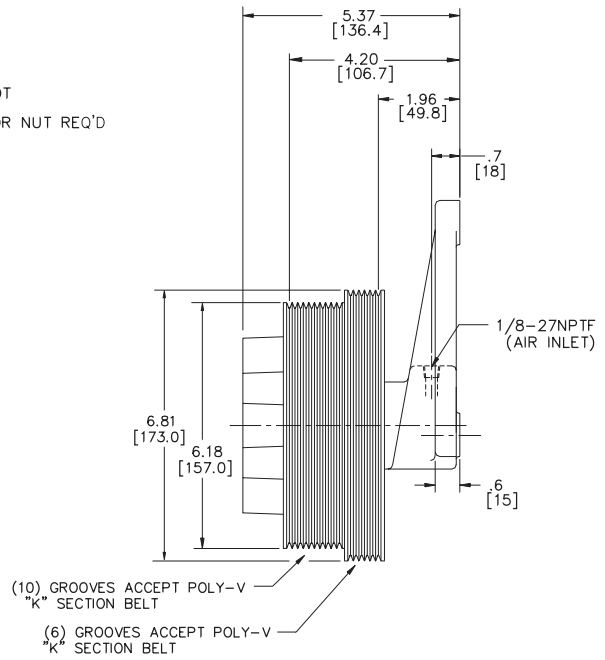
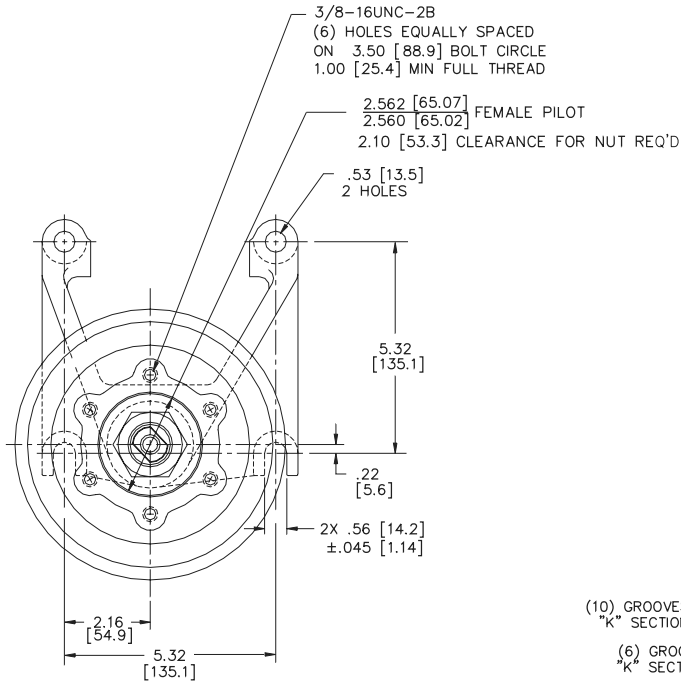


DD S-60 ENGINE

1077-07956-01

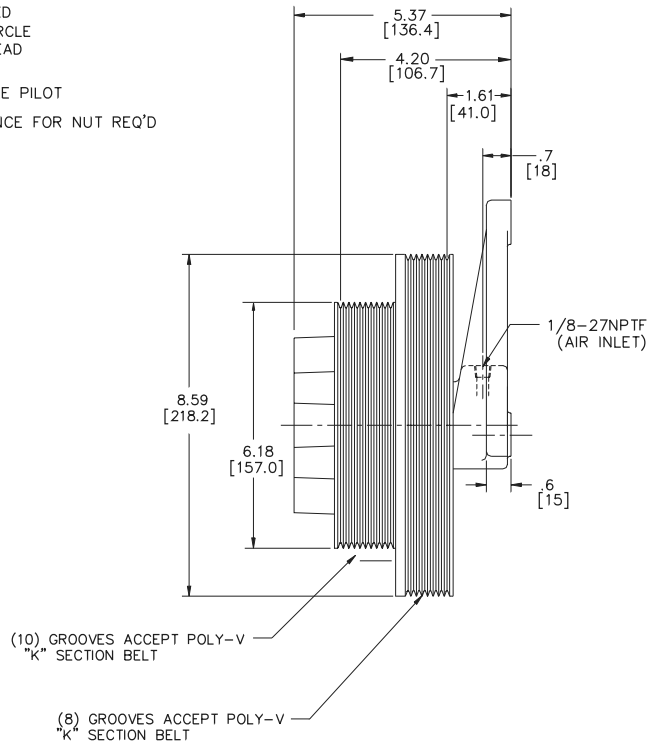
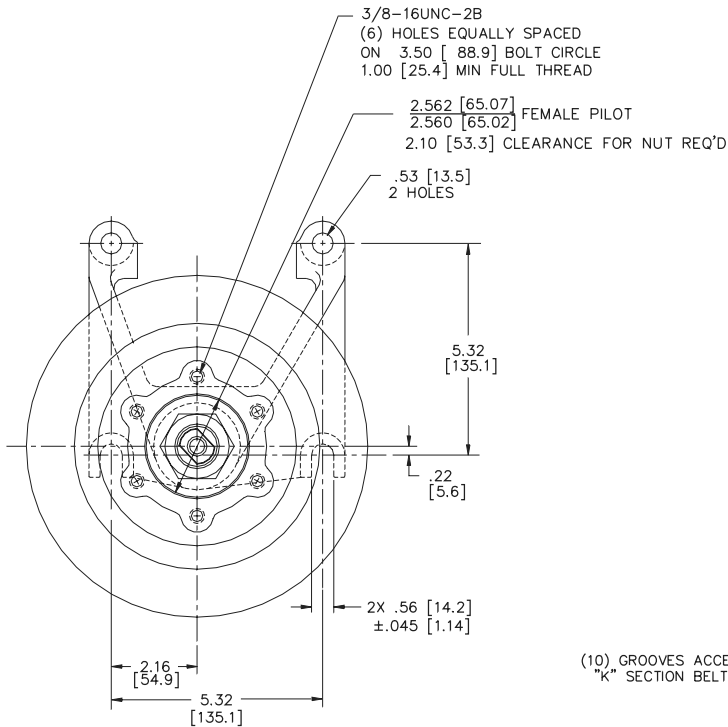


DIMENSIONS IN [mm] ARE IN MILLIMETERS.



DD S-60 ENGINE

1077-07956-03



DD S-60 ENGINE

1077-07956-04

